

FLEXIS

FORTIS

AXIMA

**HIGH FREQUENCY
BATTERY CHARGER**

**Original user manual
Originalbetriebsanleitung
Originální návod k použití**



Content / Inhalt / Obsah



1 Introduction	5
2 General information	5
3 Safety	6
3.1 Safety measures before start the operation	6
3.2 Safety measures during the operation.....	6
3.3 Danger gases and acids.....	6
3.4 Risk of electric shock.....	7
3.5 Protection of persons.....	7
3.6 Safety inspection	7
4 Installation	7
4.1 Mechanical installation	7
4.2 Electrical installation	8
5 Operation	8
5.1 Proper use.....	8
5.2 Improper use	8
6 Maintenance and repairs	8
7 Disposal	9
8 Guarantee and liability	9
9 Package content	9
10 Display	10
11 Technical data	11
12 Failures	15
12.1 Module fault reporting	18



1 Einleitung	19
2 Allgemeines	19
3 Sicherheit	19
3.1 Vorsichtsmaßnahmen vor Inbetriebnahme	20
3.2 Vorsichtsmaßnahmen bei normalem Betrieb.....	20
3.3 Gefährliche Säuren und Gase	20
3.4 Gefahr durch Netzspannung und Ladestrom	21
3.5 Schutz vor Personenschäden.....	21
3.6 Sicherheitskontrolle	21
4. Installation	21
4.1 Mechanische Installation	21
4.2 Elektrische Installation.....	22
5. Betrieb	22
5.1 Ordnungsgemäße Verwendung.....	22
5.2 Unsachgemäße Verwendung	22

6. Wartung und Fehlerbehebung	23
7. Entsorgung	23
8. Garantie und Haftung	23
9. Packungsinhalt und Transport	23
10 Display	24
11 Technische Daten	25
12 Fehlermeldungen	29
12.1 Modul–Störungen	32



1 Úvod	33
2 Obecné informace	33
3 Bezpečnost	34
3.1 Bezpečnostní opatření před zahájením provozu	34
3.2 Bezpečnostní opatření při běžném provozu	34
3.3 Nebezpečné kyseliny a plyny	34
3.4 Nebezpečí ze síťového napětí a nabíjecího proudu	35
3.5 Ochrana osob	35
3.6 Bezpečnostní prohlídka	35
4 Instalace	35
4.1 Mechanická instalace	35
4.2 Elektrická instalace	36
5 Provoz	36
5.1 Správné použití.....	36
5.2 Nesprávné použití.....	36
6 Údržba a opravy	36
7 Likvidace	37
8 Záruka a odpovědnost	37
9 Obsah balení a přeprava	37
10 Displej	38
11 Technická data	39
12 Chybová hlášení	43
12.1 Poruchy modulu	47



FLEXIS



FORTIS



1 Introduction

READ CAREFULLY THIS USER MANUAL! KEEP THE USER MANUAL FOR THE FUTURE USE!

High frequency industrial battery chargers FLEXIS and FORTIS are produced by AXIMA company. They are determined for charging of tractions batteries. Nominal voltage range of batteries is 12 – 96 V. Input current is according to type from 25 A. Mains voltage is 230 VAC or 3x400 VAC.

Chargers are modular and their base are power units managed by microchip control unit via CANBUS. Parallel connection allowed desired power. Control unit manages the charging process, state signalization on display (FLEXIS) or via LED diodes (FORTIS) and saves the data about charging to archive (FLEXIS). Technical parameters are at the manufacturer label (serial label).


This user manual is intended for all types of FLEXIS and FORTIS chargers. Manufacturer label is on the left side of the charger.

Qualifician technician – the person who has the appropriate electrotechnical training, knowledge, and experience


Operator (end-user) – the person performing the connection and disconnection of the battery to or from the charger. Operator has to read this user-manual.


2 General information

Security notice

 **DANGER** – high risk of critical injury or death

 **WARNING** – potential risk of critical injury or death

 **CAUTION** – potential risk of moderate injury or damage property

 **NOTICE** – important information about possibility of damage of the device

3 Safety

The user manual has to be available near the charger. Pay attention to all security regulations, prevention of accidents and protection of the environment in each country where is charger used.

All notices about safety and danger on the charger have to be:

- well legible
- non-damaged
- uncovered



- before the start, fix and repair all faults and barriers which threaten security
 - charger modification is forbidden
-

3.1 Safety measures before start the operation



- read carefully this user manual
 - use charger only indoor
 - connect the charger only to standard electricity supply
 - use the charger only in well ventilated rooms
 - do not manipulate with the charger during the operation
 - only qualified technician can operate the charger
 - charge only chargeable batteries
 - do not touch the battery poles
 - avoid sparking, smoking and manipulating with open fire near the battery, risk of explosion
 - do not disconnect the battery from the charger during the charging
 - push STOP button for end of charging and disconnect the battery
 - avoid leaks of electrolyte
 - ensure that the lithium battery charging is terminated when the maximum permissible voltage on each battery cell is reached, the maximum battery cell voltage is always specified by the battery manufacturer, it may cause an explosion or fire
 - if charger does not work correctly, immediately inform your supplier and describe your problem
 - never repair the charger, risk of electric shock
-

3.2 Safety measures during the operation



- do not use the charger in wet or moisture rooms
 - use the charger only with in accordance with degree of protection on manufacturer label
 - do not use the charger without cover, risk of electric shock
 - never operate the charger if it is damaged
 - make sure, qualified technician inspects the supply cable
 - qualified technician must repair all damaged safety devices before start the operation
 - never deactivate safety devices
-

3.3 Danger gases and acids



- during the charging keep distance min 0,5m (20 inches) between the charger and battery
 - potential sources of danger keep out of range from charging battery
 - check the right ventilation in the charging room
 - pay attention the battery contains electrolyte, it is dangerous for eyes and skin
 - use protective glasses and suit
 - in case of contact with acid, rinse thoroughly affected part of body, if necessary seek medical help
 - dangerous and high explosive gases and steam are released during the charging
 - do not inhale any released gases and steam from battery
 - do not put place any tools or conductive objects on the battery
 - do not disconnect battery from charger during charging
-

3.4 Risk of electric shock



- risk of electric shock from power supply and from charging current
- the risk of electromagnetic fields that can endanger the life of people using pacemakers
- electric shock can cause serious injury or death

Follow the instructions below:

- do not touch any conductive part inside the charger
 - do not touch battery poles
 - do not short-circuit the charging cables or terminals
-

NOTICE

All cables and connectors have to be secure, undamaged, insulated and sufficiently dimensioned. Loose connections, burned, damaged or insufficiently sized cables and connectors have to be repaired immediately by a qualified technician.

3.5 Protection of persons



- unauthorized person must not enter to workplace during operation
 - operation personnel has to have trained and warned to all dangers
 - operation personnel has to have protective suit
 - make sure people or property are not at risk before leaving the workplace
-

3.6 Safety inspection

NOTICE

Do safety inspection of charger minimal once per 6 months. Safety inspection may only perform by qualified technician.

Outside regular interval do safety inspection:

- after changes
- after installation other accessories or components
- after maintenance or repair

During the safety inspection, check the operation of the device that controls the lithium battery charging process.

Follow the relevant national and international standards and guidelines for safety inspections. Contact your supplier for more information on safety inspections.

4 Installation

4.1 Mechanical installation

Charger case place to:

- on a vertical surface (wall), fix with four screws, \varnothing 5 – 8 mm
- on a horizontal surface with AXI FF MONO holder and fix by screws

Conditions of right installation:



- operate the charger only in vertical position
 - operate the charger only in suitable and well ventilated rooms with temperature up to +40°C
 - ensure protection of charger against the charging fumes
 - ensure sufficient distance between charger and battery
 - ensure sufficient ventilation in charging room during the charging
 - ensure sufficient cooling the charger
 - keep minimal distance 100mm between other chargers
 - do not cover charger ventilations holes
 - do not use charger in dusty environment
-

4.2 Electrical installation

- before the connection battery to charger check the right plug connection, especially protective conductor and voltage
- make sure if plug for charger connection is protected by a suitable circuit breaker
- connect charger to power supply by movable wire
- output cables could be delivered with battery connector, plus pole is marked red
- charger is delivered with a standard length of output cables
- change the charging parameters if the length of output cables are changed



Make sure the power supply is properly grounded!

5 Operation

Charger is almost delivered with default settings according to specification in order. If the charger has not the default settings it has warning label „WARNING set the charger first before use“. In this case, the qualified technician makes the settings.

Check before start operation:

- charger case and the cables
- battery type and voltage, battery technical parameters must match the charger and its settings

5.1 Proper use

For proper use must be kept following steps:

- connect the charger to the power supply
- connect the battery to the charger
- standard charging starts and ends completely automatically, without pressing any button
- regeneration modes start by press button EQU/DES during verification time (10s) after connection the battery
- disconnect the battery after end of charging (green display)
- do not disconnect the charger from power supply during the charging or regeneration mode
- if you need to disconnect the battery from the charger while charging, first press the stop button

5.2 Improper use

NOTICE

Charger is designed only for charging traction batteries. Only that is its purpose. Any use beyond this purpose is not permitted. The manufacturer is not liable for any damages or unexpected or incorrect results resulting from such use.



In case of improper use threatens:

- injury or death to operator or third person
 - damage the device and other tangible assets
 - inefficient operation of the charger
-

6 Maintenance and repairs

In standard operation conditions charger needs only minimal maintenance and care. Do regular visual check of the charger. If case of any fault, contact your service centre. It will ensure a long life for your charger.

Before the start operation of the charger ever check:

- power supply plug and cable
- charging conductors
- charging connectors to connecting the battery
- any signs of damage

If the surface of the charger dirty, clean up it only by soft cloth and cleaner solvent free.

Check of the charger must do qualified technician minimal every 6 months.

Repair instructions:

- maintenance and repairs can do only qualified technician
- use only original spare parts
- do not make any changes and modifications without the manufacturer's agreement
- ensure 1m safety zone around the charger during maintenance and repairs

The manufacturer does not guarantee the nonoriginal parts purchased elsewhere are designed and manufactured to meet the safety requirements.

7 Disposal

Do not dispose of the charger in the normal household waste!

In order to comply with the European Directive 2002/96 / EC on Waste Electrical and Electronic Equipment and its implementation in national law, end-of-life electrical equipment must be handed over to an approved recycling centre for disposal.

Any electrical equipment that is already out of service must either be returned to the dealer or handed over to an approved collection and recycling site. Failure to comply with this European Directive may have adverse effects on the environment and your health!

If you dispose of the charger in a country outside the EU, comply with national law.

Just like a charger, dispose of its accessories and packaging in an environmentally friendly way.

8 Guarantee and liability

The manufacturer is only liable for defects caused by his fault. The manufacturer accepts no liability if the damage was caused by one or more of the following factors:

- the use of the charger is not intended for the intended purpose
- improper installation and operation
- charger operation with damaged protective parts and devices
- non-compliance with operating instructions
- unauthorized modification of the charger
- disasters caused by third party activities and force majeure

User is responsible for all changes which do in charger settings.

Improper operation or storage of the charger is not permitted. The manufacturer is not reliable for damages.

The manufacturer is not responsible for any damage resulting from improper use or storage.

9 Package content

Every package contents:

- charger
- user manual

Detailed specification is in the delivery note, for example delivered accessories.

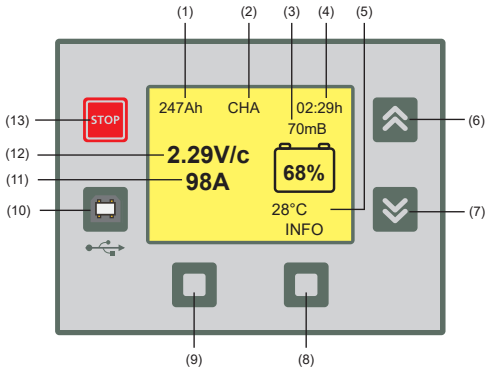
Keep this manual throughout the life of the charger. Store the manual so that it is always available to the operator.

Explanations and Abbreviations

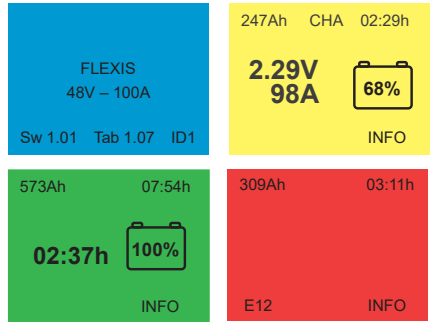
A	ampere (current)	I1, U1, I2	characteristic values of charging curve
Ah	ampere-hour	kg	kilogram
A/100Ah	current related to 100Ah capacity of battery	kVA	power input
CE	mark designation of conformity to standards	m	meter
Cnom	nominal battery capacity (in amp-hours)	maintenance	maintenance trickle charging after extra time
°C	degree Celsius (temperature)	min	minute
DES	desulphating	s	second
EQU	equalization	SN	serial number
EUW	electrolyte mixing (aeration pump)	Unom	nominal voltage
float	floating charging	V	volt (voltage)
h	hour	V/cell	volt/cell of battery
Hz	Hertz (frequency)	VAC	alternating voltage
IM	identification module	VDC	direct voltage
Inom	nominal current	3 N PE	mains 3x400VAC/50-60Hz
IP	degree of protection	1 N PE	mains 230VAC/50-60Hz

10 Display

FLEXIS



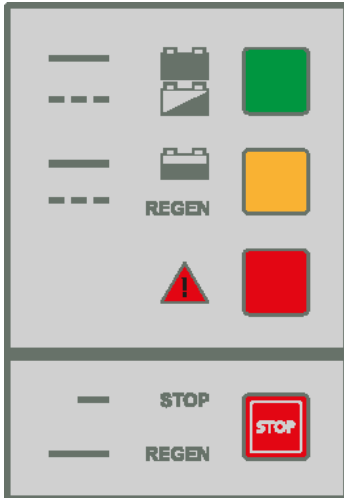
- (1) Ah supply (2) charging phases (3) pressure
- (4) charging time (5) battery temperature
- (6) button up (7) button down
- (8) (9) function buttons (10) USB connectof
- (11) charging current (12) battery voltage (V/cell)
- (13) "STOP" button



Display colours:

- blue / logo – standby mode (no battery connected)
- yellow – charging or regeneration modes
- green – battery charged
- red – error (failures codes in chapter 12)

FORTIS



Green LED

- lighting = charged
- blinking = charging

Yellow LED

- lighting = final charging phase
- blinking = regeneration mode

Red LED

- lighting = error

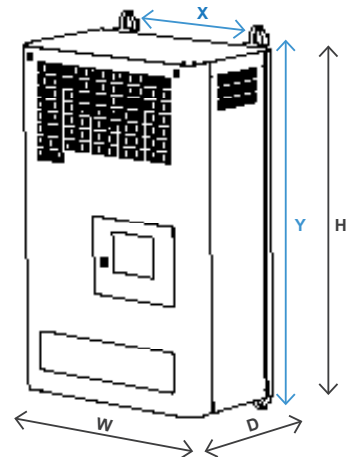
STOP button

- stops charging
- starts regeneration mode

11 Technical data

Nominal supply voltage	one-phase 1 N PE 230V ±15% 50/60Hz or three-phase 3 N PE 400V -10%/+15% 50/60Hz
Nominal power input	see the table of types on next page
Input protection	single-pole or three-pole circuit breaker in charging station wiring size according to charger, C or D type characteristics
Inrush switch-on current	$\leq I_{nom}$
Efficiency	up to 94%
Protection class	I
Pollution class	2
Degree of protection	IP20, IP54
Degree of protection after charger opening	IP00
Electric strenght input - output	4,2 kVDC
Output voltage tolerance in measuring	±1%
Output current tolerance in measuring	±2%
Safety (LVD)	EN 62368-1
Electromagnetic compatibility (EMC)	EN 61000-6-2, EN 61000-6-4
Case colour	typically black or any customized
Mounting	hanging in vertical position/ equipped with a stand standing on horizontal surface
Charger cooling	internal ventilators
Placing of the in- and outputs	bottom side of the charger
Operating environment	-10°C to +40°C, max. rel. humidity 80%, non-condensing
Storage	in dry conditions -25°C up to +80°C max. rel. humidity 80%, non-condensing
Temperature sensor – dimensions	Ø 6mm, length 50mm, cable length 1,5m
Range of temperature measurement	-10°C up to 80°C
Electrolyte level sensor – dimmensions / voltage	Ø 8mm, length 150mm / 5 up to 9VDC

Case	Dimensions (mm)			Mounting holes position (mm)	
	H	W	D	X	Y
FF170	477	302	169	230	515
FF250	477	302	254	230	515
FF330	477	302	339	230	515
FF550	477	547	339	499	515
FF720	477	717	339	669	515
FF1000	835	1006	380	floor stand	



FLEXIS

Output voltage (V)	Output current (A)	Mains (VAC)	Input current (A)	Mains (A)	Input Power (VA)	
24	60	230	8,7	10	1950	
	100	230	14,1	16	3250	
	100	3 x 400	4,9	6	3390	
	200	3 x 400	9,8	10	6780	
	300	3 x 400	14,7	16	10170	
	400	3 x 400	19,6	20	13560	
48	50	230	14,1	16	3250	
	50	3 x 400	4,9	6	3390	
	100	3 x 400	8,0	10	5550	
	150	3 x 400	12,9	16	8940	
	200	3 x 400	16,0	20	11100	
	250	3 x 400	20,9	25	14490	
	300	3 x 400	24,0	25	16650	
	400	3 x 400	32,0	32	22200	
80	25	230	14,1	16	3250	
	25	3 x 400	4,9	6	3390	
	50	3 x 400	8,0	10	5550	
	75	3 x 400	12,9	16	8940	
	100	3 x 400	16,0	20	11100	
	125	3 x 400	20,9	25	14490	
	150	3 x 400	24,0	32	16650	
	175	3 x 400	28,9	32	20040	
	200	3 x 400	32,0	32	22200	
	225	3 x 400	36,9	40	25590	
	250	3 x 400	40,0	40	27750	
	275	3 x 400	44,9	50	31140	
220	300	3 x 400	48,0	50	33300	
	400	3 x 400	64,0	80	55500	
	24	3 x 400	8,0	10	5550	
	48	3 x 400	16,0	16	11100	
	72	3 x 400	24,0	24	16650	
	96	3 x 400	32,0	32	22200	
	120	3 x 400	40,0	40	27750	
400	144	3 x 400	48,0	50	33300	
	192	3 x 400	56,0	63	38850	
	12	3 x 400	8,0	10	5550	
	24	3 x 400	16,0	16	11100	
	36	3 x 400	24,0	25	16650	
	48	3 x 400	32,0	32	22200	
	60	3 x 400	40,0	40	27750	
	72	3 x 400	48,0	50	33300	

The manufacturer reserves the right to make continuous changes.

	Case with air pump	Case without air pumpi	Type	Weight (kg)	
				with air pump	without air pump
	FF170	FF170	FLEXIS 24E60	18	16
	FF170	FF170	FLEXIS 24E100	18	16
	FF170	FF170	FLEXIS 24D100	19	17
	FF250	FF250	FLEXIS 24D200	27	25
	FF550	FF550	FLEXIS 24D300	40	38
	FF550	FF550	FLEXIS 24D400	57	55
	FF170	FF170	FLEXIS 48E50	19	17
	FF170	FF170	FLEXIS 48D50	20	18
	FF170	FF170	FLEXIS 48D100	22	20
	FF250	FF250	FLEXIS 48D150	30	28
	FF250	FF250	FLEXIS 48D200	32	30
	FF330	FF330	FLEXIS 48D250	40	38
	FF550	FF550	FLEXIS 48D300	48	46
	FF550	FF550	FLEXIS 48D350	62	60
	FF550	FF550	FLEXIS 48D400	65	63
	FF250	FF170	FLEXIS 80E25	20	16
	FF250	FF170	FLEXIS 80D25	21	17
	FF250	FF170	FLEXIS 80D50	24	20
	FF330	FF250	FLEXIS 80D75	32	28
	FF330	FF250	FLEXIS 80D100	34	30
	FF550	FF330	FLEXIS 80D125	45	39
	FF550	FF330	FLEXIS 80D150	47	41
	FF550	FF550	FLEXIS 80D175	56	52
	FF550	FF550	FLEXIS 80D200	58	55
	FF720	FF720	FLEXIS 80D225	67	63
	FF720	FF720	FLEXIS 80D250	78	74
	FF720	FF720	FLEXIS 80D275	85	81
	FF720	FF720	FLEXIS 80D300	87	83
	FF1000	FF1000	FLEXIS 80D400	135	131
	FF250	FF170	FLEXIS 220D24	24	20
	FF330	FF250	FLEXIS 220D48	34	30
	FF550	FF330	FLEXIS 220D72	45	41
	FF550	FF550	FLEXIS 220D96	59	55
	FF720	FF720	FLEXIS 220D120	70	66
	FF720	FF720	FLEXIS 220D144	79	75
	FF1000	FF1000	FLEXIS 220D192	136	132
	FF250	FF170	FLEXIS 400D12	24	20
	FF330	FF250	FLEXIS 400D24	34	30
	FF550	FF330	FLEXIS 400D36	44	40
	FF550	FF550	FLEXIS 400D48	59	55
	FF720	FF720	FLEXIS 400D60	78	74
	FF720	FF720	FLEXIS 400D72	87	83

FORTIS

Nominal output voltage (V)	Output current (A)	Type	Case	Weight (kg)	Mains protection (A)	Nominal input current (A)
24	60	FORTIS 24E60	FF170	13	10	8,7
	100	FORTIS 24E100	FF170	13	16	14,1
	100	FORTIS 24D100	FF170	14	6	4,9
	200	FORTIS 24D200	FF250	25	10	9,8
48	50	FORTIS 48E50	FF170	13	16	14,1
	50	FORTIS 48D50	FF170	14	6	4,9
	100	FORTIS 48D100	FF170	18	10	8,0
	150	FORTIS 48D150	FF250	27	16	12,9
	200	FORTIS 48D200	FF250	30	20	16,0
	25	FORTIS 80E25	FF170	13	16	14,1
80	25	FORTIS 80D25	FF170	14	6	4,9
	50	FORTIS 80D50	FF170	17	10	8,0
	75	FORTIS 80D75	FF250	26	16	12,9
	100	FORTIS 80D100	FF250	28	20	16,0
	125	FORTIS 80D125	FF330	37	25	20,9
	150	FORTIS 80D150	FF330	40	32	24,0
	175	FORTIS 80D175	FF550	49	32	28,9
	200	FORTIS 80D200	FF550	52	40	32,0
	225	FORTIS 80D225	FF720	63	40	36,9

The manufacturer reserves the right to make continuous changes.

12 Failures

FLEXIS

Code	Failure description	Reason	Steps to remedy
E1x	Incorrect initial conditions, battery failures, high battery, temperatures		
E11	Voltage of battery lower than..98% of Unom/V/ cell., deep discharged battery.	<ul style="list-style-type: none"> Battery is deeply discharged during operation Wrong setting Wrong calibration of charger 	<ul style="list-style-type: none"> Check electrolyte level Discharge max. to 80% of capacity Check setting of charger Recalibrate the charger
E12	Battery has been disconnected during charging without regular stop of charging by STOP button.	<ul style="list-style-type: none"> Inadmissible interrupt of charging by disconnecting of connector during operation (charging) 	<ul style="list-style-type: none"> To terminate the charging cycle use always STOP button!
E13	Battery temperature >TbatMAX: - if battery is connected to charger and its temperature is higher than set value, charging don't start - If temperature of battery overrun set value during charging, charging current falls to set value of and charging continues. If than temperature increase to (TbatMAX-2)°C, charging current decrease to Imax.	<ul style="list-style-type: none"> To high temperature of battery ambient Cycles of charging and discharging proceed with no break – increase of temperature Too high charging current 	<ul style="list-style-type: none"> Lower environment temperature Make longer pauses between charging and discharging cycles Check setting of charger
E14	Temperature of control unit >65°C: - if battery is connected to charger and inner temperature is higher than set value, charging does not start - If inner temperature of charger overrun set value during charging, charging current falls to value set in folder „Charging – Temperature measurement“ and charging continues. If than temperature decrease to (T-5)°C, charging current increase to Imax.	<ul style="list-style-type: none"> To high temperature of charger ambient Charger exceedingly coated by dust 	<ul style="list-style-type: none"> Lower environment temperature. Clean up the charger If the charger is in IP54 case – clean up or change the filter inserts
E15	Voltage of battery > Umax (set in charging curve).	<ul style="list-style-type: none"> Failure of power unit Failure of control unit 	<ul style="list-style-type: none"> Repair/exchange of power unit Repair/exchange of control unit
E2x	Incorrect charging duration		
E21	The constant current charging phase I1 is taking too long; charging terminates and fails.	<ul style="list-style-type: none"> A faulty battery or incorrect charger settings Excessive battery capacity or insufficient charger current 	<ul style="list-style-type: none"> Check the battery – electrolyte density, temperature, voltage of single cells Check setting of charger
E22	Constant voltage phase U1 too long, charging goes further to next phase.	<ul style="list-style-type: none"> Defective battery Wrong setting of charger 	<ul style="list-style-type: none"> Check the battery – electrolyte density, temperature, voltage of single cells Check setting of charger
E23	The constant current charging phase I2 is taking too long; charging terminates and fails.	<ul style="list-style-type: none"> Defective battery Wrong setting of charger 	<ul style="list-style-type: none"> Check the battery – electrolyte density, temperature, voltage of single cells Check setting of charger
E24	During charging phase I1+ U1 more than 90% of nominal capacity is supplied.	<ul style="list-style-type: none"> A completely flat battery Incorrect charger settings 	<ul style="list-style-type: none"> Check the battery – electrolyte density, temperature, voltage of single cells Checking de-charging circumstances Checking charger setting
E3x	Deviations charging current		
E31	Charging current I1 <80% of set value.	<ul style="list-style-type: none"> One phase of three phase mains is missing Defective power unit Wrong calibration of charger 	<ul style="list-style-type: none"> Check the mains Check power units of charger Recalibrate the charger
E32	Charging current I1 >110% of set value.	<ul style="list-style-type: none"> Defective power unit Wrong calibration of charger 	<ul style="list-style-type: none"> Check power units of charger Recalibrate the charger
E5x	Failures of aeration system		
E51	Low pressure in the aeration system failure of airpump or aeration piping. If the pressure is not restored and the correct pressure value is not reached within 1 minute, the charging current value decreases to the 80% Ichar value in the "charging" and the pump is not switched any more.	<ul style="list-style-type: none"> Failure of airpump Pressure loss in piping system 	<ul style="list-style-type: none"> Check the airpump Check piping system of aeration
E52	High pressure in the aeration system, pump or piping system fault. If the correct pressure values are not restored within 1 minute, the value of the charging current I1 will be reduced to 80% during the main charging phase and the pump will no longer be switched on.	<ul style="list-style-type: none"> Clogged or kinked aeration system. 	<ul style="list-style-type: none"> Check aeration system
E53	More than 5 faults in the EUW system (pressure either too high or too low) during the charge cycle; the charging current I1 is reduced to 80% in the main charging phase and the pump is no longer switched on.	<ul style="list-style-type: none"> Loss of pressure in the aeration system Clogged or kinked aeration system 	<ul style="list-style-type: none"> Check aeration system and the pump
E54	Leakage in the air system, the pressure goes down too fast.	<ul style="list-style-type: none"> Pressure loss in piping system 	<ul style="list-style-type: none"> Check piping system of aeration

E55	Charger blocked due to aeration system failures.	<ul style="list-style-type: none"> Blockage of charger due to overrun of settled nr. of failures E51, E52, E54. Failure of airpump Pressure loss in piping system Clogged piping of aeration system. 	<ul style="list-style-type: none"> Check the airpump Check piping system of aeration Charger must be unblocked by service engineer
E9x	Failures of communication		
E91	Failure of communication with IM at battery connecting.	<ul style="list-style-type: none"> IM is not used IM is defective IM is not programmed Defective wiring or connector 	<ul style="list-style-type: none"> Connect, change or programme IM Check connection between IM and charger
E94	Failure at temperature check – temperature sensor or IM.	<ul style="list-style-type: none"> Defective temp. Sensor Defective IM Defective wiring or connector 	<ul style="list-style-type: none"> Change temperature sensor Change IM Check connection between temp. Sensor or IM
F1x	Failures of the starting condition and failures of battery		
F10	Power units with different voltage levels has been connected together.	<ul style="list-style-type: none"> Power units with different voltage levels Wrong calibration 	<ul style="list-style-type: none"> Use right units Right setting of the power units
F11	Battery with high impedance. Voltage during initial test increase more than 19% of Unom/V/cell.	<ul style="list-style-type: none"> Deeply sulphated battery 	<ul style="list-style-type: none"> Check battery and its use Check electrolyte density and voltage of single cells
F12	Failure at temperature check – temperature sensor or IM.	<ul style="list-style-type: none"> Battery with higher nominal voltage than is set in charger 	<ul style="list-style-type: none"> Check battery voltage
F13	Battery voltage >115% Unom, battery charging is initiated only after a rate fall below 115% Unom.	<ul style="list-style-type: none"> The battery is fully charged 	<ul style="list-style-type: none"> Disconnect battery If mains connection is maintained, eventual voltage reduction will trigger automatic recharging
F14	The battery voltage during the charging overrunned seted value (Umax) – charging is stopped.	<ul style="list-style-type: none"> Defective battery Defective wiring charging cable Defective connector Failure of charger 	<ul style="list-style-type: none"> Check the battery – electrolyte density, temperature, voltage of single cells Check charging cable Check functions of charger
F15	Voltage monitors of single modules connected in parallel vary more than 3% of Unom.	<ul style="list-style-type: none"> Voltage monitor failed 	<ul style="list-style-type: none"> Exchange of power unit
F16	Battery temperature during charging >(Tbat MAX+5)°C, charging is stopped.	<ul style="list-style-type: none"> To high temperature of battery ambient Cycles of charging and discharging proceed with no break – increase of temperature Too high charging current 	<ul style="list-style-type: none"> Lower environment temperature Make longer pauses between charging and discharging cycles Check setting of charger
F17	Output voltage during charging is lower than Umin (set in charging curve) – longer than 1min. or battery with lower voltage than is set was connected to charger	<ul style="list-style-type: none"> Voltage monitor failed Battery was connected 	<ul style="list-style-type: none"> Exchange of power unit Connect right battery type or change the chargers setting
F18	Low level of electrolyte	<ul style="list-style-type: none"> Insufficient maitanance Error automatical refilling Wrong setting of switching valves 	<ul style="list-style-type: none"> Refill water to battery Check function of aut. refilling Check charger setting
F2x	Incorrect charging duration		
F21	Constant current phase I1 runs too long, charging is stopped.	<ul style="list-style-type: none"> Defective battery Wrong setting of charger 	<ul style="list-style-type: none"> Check the battery – electrolyte density, temperature, voltage of single cells Check charger setting
F22	Constant current phase U1 runs too long, charging is stopped.	<ul style="list-style-type: none"> Defective battery Wrong setting of charger 	<ul style="list-style-type: none"> Check the battery – electrolyte density, temperature, voltage of single cells Check charger setting
F23	Maximal duration of phase I2 overrunned.	<ul style="list-style-type: none"> Battery is deeply discharged during operation Wrong setting Wrong calibration of charger 	<ul style="list-style-type: none"> Check the battery – electrolyte density, temperature, voltage of single cells Check charger setting
F3x	Deviations of charging current		
F31	The charging current <50% of the desired value, charging is stopped.	<ul style="list-style-type: none"> One phase of three phase mains is missing Defective power unit Wrong calibration of charger 	<ul style="list-style-type: none"> Check the mains Check power units of charger Recalibrate the charger
F32	The charging current >120% of the desired value, charging is stopped.	<ul style="list-style-type: none"> Defective power unit Wrong calibration of charger 	<ul style="list-style-type: none"> Check power units of charger Recalibrate the charger
F33	The charging current >120% of the Inom – value, charging is stopped.	<ul style="list-style-type: none"> Defective power unit Wrong calibration of charger 	<ul style="list-style-type: none"> Check power units of charger Recalibrate the charger
F35	During charging has been charged more than 125% of nominal capacity.	<ul style="list-style-type: none"> Defective battery Wrong setting of charger 	<ul style="list-style-type: none"> Check the battery – electrolyte density, temperature, voltage of single cells Check setting of charger
F4x	Communication of control unit		
F40	Communication with power unit failed.	<ul style="list-style-type: none"> Wrong contact on wiring Defective control unit Defective power unit 	<ul style="list-style-type: none"> Check wiring Repair/exchange control unit Repair/exchange power unit

F6x	Initialization failures		
F60	Wrong type of charging curve	<ul style="list-style-type: none"> Charger and external module (IM/BM) have set different types of charging curves 	<ul style="list-style-type: none"> Set the same type of charging curve in charger and in external module
F61	The charging curve type and nominal voltage do not match	<ul style="list-style-type: none"> Some types of curves can only be used to charge certain types of batteries 	<ul style="list-style-type: none"> Set the correct type of charging curve
F62	Wrong count of battery cells was set	<ul style="list-style-type: none"> The integer number of cells does not correspond to the set battery voltage and the nominal cell voltage in the curve 	<ul style="list-style-type: none"> The battery voltage value must be an integer multiple of the cell voltage
F63	Nominal voltage of battery is over the charger's limit	<ul style="list-style-type: none"> A battery was connected with an IM / BM that is set to a higher voltage than the charger voltage 	<ul style="list-style-type: none"> Use charger with higher voltage
F64	Wrong settings of charger or external module (IM/BM)	<ul style="list-style-type: none"> wrong capacity out of range 10 - 10000 Ah wrong number of charging curve, out of range 1 - 120 general failure in registry 	<ul style="list-style-type: none"> Set values in correct range

FORTIS

Failure description	Reason	Charger behaviour and LED signalisation	Steps to remedy
External influences			
Undervoltage or overvoltage in power supply	<ul style="list-style-type: none"> • Connection fault in wiring 	<ul style="list-style-type: none"> • No charger current • Red LED flashes 2x in short succession, then longer interval 	<ul style="list-style-type: none"> • Check voltage in wiring • Conduct repairs to ensure power supply voltage falls within $\pm 10\%$ tolerance
Battery faults			
Ubat < 1,3V/cell	<ul style="list-style-type: none"> • Incompatible battery connected with lower nominal voltage • Faulty or severely drained battery 	<ul style="list-style-type: none"> • Upon connection, battery fails to begin charging, no signalisation 	<ul style="list-style-type: none"> • Replace or regenerate battery
2,3V/cell < Ubat < 2,7V/cell	<ul style="list-style-type: none"> • Battery is fully charged 	<ul style="list-style-type: none"> • Battery connected, but charging does not start • Green LED on continuously 	<ul style="list-style-type: none"> • Disconnect battery and/or wait for fall in voltage below 2.3V/cell, at which charging starts automatically
1,3V/cell < Ubat < 2,0V/cell	<ul style="list-style-type: none"> • Battery is severely drained 	<ul style="list-style-type: none"> • Charging • Green LED flashes 	<ul style="list-style-type: none"> • Charging occurs via a reduced 50% I_{max} current up to 1.75 V/cell. • From 1.75 to 2.0 V/cell with increasing I_{max} current
Battery test failure at start of charging	<ul style="list-style-type: none"> • Battery with a high internal resistance • Sulphated battery 	Dependant upon charger setting: <ul style="list-style-type: none"> • Switches into desulphation mode, green and yellow LED flashes (manufacture preset) • or charging ends and red LED indicates 	<ul style="list-style-type: none"> • Replace battery or regenerate
Faults during charging			
Battery disconnected during charging without proper shutdown of charger	<ul style="list-style-type: none"> • Improper charger operation 	<ul style="list-style-type: none"> • Termination of charging • Red LED indicates 	<ul style="list-style-type: none"> • Revisit maintenance guidelines to prevent damaging connector contacts, and causing risk of explosion
Exceeding number of supplied Ah > 135% C _{nom}	<ul style="list-style-type: none"> • Incompatible battery • Incorrect charger settings 	<ul style="list-style-type: none"> • Termination of charging • Red and green LED indicates 	<ul style="list-style-type: none"> • Replace battery • Check charger settings
Deviation from charging current values	<ul style="list-style-type: none"> • Faulty charger power unit • Faulty operation 	<ul style="list-style-type: none"> • Charging terminated • Red LED indicates • Light switches off only after charger is switched off 	<ul style="list-style-type: none"> • Service charger
Deviation from charging voltage values	<ul style="list-style-type: none"> • Faulty operation 	<ul style="list-style-type: none"> • Charging terminated • Red LED indicates • Light switches off only after charger is switched off 	<ul style="list-style-type: none"> • Service charger
Ubat < 1,3V/cel. during charging	<ul style="list-style-type: none"> • Faulty or incompatible battery 	<ul style="list-style-type: none"> • Charging terminated • Red LED indicates • After cooling, charging begins automatically, red LED switches off 	<ul style="list-style-type: none"> • Replace or regenerate battery
Charger overheating	<ul style="list-style-type: none"> • Excessive environmental temperatures • Charger affected by excessive dust levels • Faulty internal ventilators 	<ul style="list-style-type: none"> • Charging terminated • Red LED indicates • After cooling, charging begins automatically, red LED switches off 	<ul style="list-style-type: none"> • Reduction of environmental temperature • Clean charger • Ventilator maintenance
Faulty temperature probe	<ul style="list-style-type: none"> • Damaged cable • Faulty connector 	Dependant upon charger setting: <ul style="list-style-type: none"> • charging initiated, red LED on throughout, green LED flashes (manufacturing default) • or charging does not start, red LED indicates 	<ul style="list-style-type: none"> • Check cables and/or probe connectors

12.1 Module fault reporting

(they are shown in EVENTS folder in configuration program AXIFF or AXISET)

F1	main error	F5	output relay error
F2	diodes overheating	F6	CAN bus communication error
F3	transistors overheating	F7	internal supply error
F4	overvoltage on output of power supply unit	F8	insufficient power



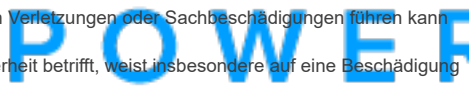
– unmittelbar drohende Gefahr, die zu schweren Verletzungen oder zum Tod führen kann



– potenzielle Risiko einer Gefahr, die zu schweren Verletzungen oder zum Tod führen kann



– potenzielle Risiko, das zu leichten Verletzungen oder Sachbeschädigungen führen kann



– wichtige Information, die nicht die Sicherheit betrifft, weist insbesondere auf eine Beschädigung des vorliegenden Geräts hin



3.1 Vorsichtsmaßnahmen vor Inbetriebnahme



- Vor Inbetriebnahme des Ladegeräts lesen Sie sorgfältig die Anweisungen
 - Verwenden Sie das Ladegerät nicht im Freien
 - Verwenden Sie das Ladegerät nicht in nassen oder feuchten Räumen
 - Betreiben Sie das Ladegerät nicht ohne Abdeckung, es besteht die Gefahr eines Stromschlags
 - Schließen Sie Ladegerät nur an ein Standard-Stromnetz an
 - Betreiben Sie das Ladegerät in einem gut belüfteten Raum
 - Bewegen Sie das Ladegerät nicht während des Betriebs
 - Laden Sie nur dafür bestimmte Batterien auf
 - Berühren Sie nicht die Kabel an den Batteriepolen
 - Vermeiden Sie Funkenbildung, Rauchen und offenes Feuer in der Nähe der Batterie, es besteht Explosionsgefahr
 - Trennen Sie während des Ladevorgangs nicht die Batteriestecker zwischen dem Ladegerät und der Batterie
 - Vor dem Abtrennen der Batterie drücken Sie die STOP-Taste zur Beendigung des Ladevorgangs
 - Wenn Sie mit Batterien arbeiten, verhindern Sie das Auslaufen des Elektrolyten
 - Falls das Ladegerät nicht richtig funktioniert, melden Sie unverzüglich den Fehler und seine Beschreibung Ihrem Lieferanten
 - Stellen Sie sicher, dass die Aufladung der Lithiumbatterie ist beendet, wenn die höchste erlaubte Spannung jeder Zelle ist erreicht, max. Spannung der Zelle ist immer vom Hersteller gegeben, die Überschreitung der max. Spannung der Batterie kann eine Explosion oder ein Feuer verursachen.
 - Versuchen Sie niemals das Ladegerät selbst zu reparieren, es besteht die Gefahr eines Stromschlags
-

3.2 Vorsichtsmaßnahmen bei normalem Betrieb



- Verwenden Sie das Ladegerät nur in der dafür vorgesehenen Umgebung
 - Das Ladegerät darf nur von einer Person bedient werden, die diese Betriebsanleitung gelesen hat
 - Betreiben Sie niemals das Ladegerät, wenn es Hinweise auf dessen Beschädigung gibt
 - Stellen Sie sicher, dass das Netzkabel regelmäßig von einem qualifizierten Techniker überprüft wird
 - Alle Sicherheitskomponenten und Teile, die nicht richtig funktionieren oder in einem unvollkommenen Zustand sind, müssen vor dem Einschalten des Ladegeräts von einem qualifizierten Techniker repariert werden
 - Deaktivieren oder schalten Sie niemals die Schutzvorrichtungen um
-

3.3 Gefährliche Säuren und Gase



- Halten Sie während des Ladevorgangs einen Abstand von mindestens 0,5 m zwischen Batterie und Ladegerät
 - Halten Sie mögliche Gefahrenquellen, wie z. B. Feuer, außerhalb der Reichweite der geladenen Batterie
 - Kontrollieren Sie, ob der Raum der geladenen Batterie gut belüftet ist
 - Die Batterie enthält einen Elektrolyten, der schädlich für Augen und Haut ist
 - Tragen Sie eine Schutzbrille und Schutzbekleidung
 - Bei Kontakt mit Säure, spülen Sie die betroffene Körperstelle gründlich mit frischem Wasser ab und suchen Sie gegebenenfalls einen Arzt auf
 - Während des Ladevorgangs können Gase und Dämpfe freigesetzt werden, die die Gesundheit schädigen können und hochexplosiv sind
 - Atmen Sie auf keinem Fall freigesetzte Gase und Dämpfe ein
 - Platzieren Sie auf der Batterie keine Werkzeuge oder leitenden Gegenstände
 - Trennen Sie die angeschlossene Batterie nicht während des Aufladens ab
-

3.4 Gefahr durch Netzspannung und Ladestrom



- Verletzungsgefahr durch Stromschlag, aus der Netzspannung und dem Ladestrom
 - Gefahr durch elektromagnetische Felder, die das Leben von Personen mit Herzschrittmachern gefährden können
 - Ein Stromschlag kann zu schweren Verletzungen oder sogar zum Tod führen
- Beachten Sie folgende Anweisungen:
- Berühren Sie keine leitenden Teile im Inneren des Ladegeräts
 - Berühren Sie unter keinen Umständen die Batteriepole
 - Schließen Sie nicht die Ladekabel oder Stecker kurz
-

HINWEIS

Alle Kabel und Batteriestecker müssen gesichert, unbeschädigt, isoliert und ausreichend dimensioniert sein. Lose Verbindungen, verbrannte, beschädigte oder nicht ausreichend dimensionierte Kabel und Batteriestecker müssen sofort von einem qualifizierten Techniker repariert werden.

3.5 Schutz vor Personenschäden



- Während des Betriebs des Ladegeräts ist Unbefugten das Betreten des Arbeitsplatzes verboten
 - Das Betriebspersonal muss geschult und auf alle Gefahren hingewiesen werden
 - Stellen Sie eine geeignete Schutzausrüstung für das Betriebspersonal sicher
 - Vor dem Verlassen des Arbeitsplatzes vergewissern Sie sich, dass keine Menschen oder Eigentum in Gefahr sind
-

3.6 Sicherheitskontrolle

HINWEIS

Führen Sie mindestens einmal alle 6 Monate eine Sicherheitskontrolle durch. Die Sicherheitsprüfung darf nur von einem qualifizierten Techniker durchgeführt werden.

Außerhalb des regulären Intervalls führen Sie eine Prüfung durch:

- Nach Änderungen
- Nach der Installation zusätzlicher Komponenten oder nach jeglichen Umgestaltungen
- Nach Reparatur, Pflege und Wartung

Kontrollieren Sie die Funktionalität des Geräts, das steuert den Prozess der Aufladung der Lithiumbatterie, während der Sicherheitskontrolle .

Befolgen Sie bei Sicherheitsprüfungen die entsprechenden nationalen und internationalen Normen und Richtlinien. Weitere Informationen zu den Sicherheitsprüfungen erhalten Sie von Ihrem Lieferanten.

4. Installation

4.1 Mechanische Installation

Das Gehäuse des Ladegeräts befestigen Sie:

- An einer vertikalen Fläche (Wand), Befestigung durch 4 Schrauben, Ø5 - 8mm
- Auf einer horizontalen Fläche unter Benutzung eines Ständers (AXI FF MONO) und Befestigung durch Schrauben



Bedingungen für eine korrekte Installation:

- Betreiben Sie das Ladegerät nur in senkrechter Position
- Beim Betrieb muss das Ladegerät in geeigneten und angemessen belüfteten Räumen mit einer Temperatur bis +40°C platziert werden
- Schützen Sie das Ladegerät beim Aufladen vor Dämpfen
- Sichern Sie einen ausreichenden Abstand des Ladegeräts von geladenen Batterie
- Sorgen Sie für eine ausreichende Belüftung im Bereich der Installation und des Betriebs des Ladegeräts
- Sorgen Sie für eine ausreichende Kühlung des Ladegeräts
- Halten Sie seitlich und vor dem Ladegerät einen minimalen Abstand von 100mm zu anderen Geräten ein, um eine ausreichende Belüftung zu gewährleisten

- Decken Sie keinesfalls die Lüftungsöffnungen ab
 - Benutzen Sie das Ladegerät nicht in staubiger Umgebung
-

4.2 Elektrische Installation

- Überprüfen Sie vor dem Anschließen die korrekte Anschlussart der Steckdose, insbesondere des Schutzleiters und der Netzspannung
- Stellen Sie sicher, dass die Steckdose für den Anschluss des Ladegeräts durch einen geeigneten Schutzschalter gesichert ist
- Das Ladegerät wird mit einem flexiblen Kabel an das Stromnetz angeschlossen
- Die Ausgangskabel können mit einem Stecker für den Batterieanschluss geliefert werden, der Pluspol ist rot gekennzeichnet
- Das Ladegerät wird mit Ausgangskabeln in Standardlänge geliefert
- Bei einer Änderung der Kabellänge passen Sie die Ladeparameter an



Stellen Sie sicher, dass der Netzanschluss ordnungsgemäß geerdet ist!

5. Betrieb

Ladegeräte werden meistens mit der Voreinstellung gemäß den vereinbarten Spezifikationen geliefert.

Wenn keine Voreinstellung vorgenommen wurde, wird das Ladegerät mit einem Warnsymbol geliefert: „WARNING set the charger before first use“.

Kontrolle vor Inbetriebnahme:

- Überprüfen Sie das Gehäuse des Ladegeräts und die Anschlusskabel auf Beschädigung
- Überprüfen Sie den Typ und die Spannung der Batterie, deren technische Parameter dem Ladegerät und seinen Einstellungen entsprechen müssen

5.1 Ordnungsgemäße Verwendung

Für ein korrektes Aufladen sind folgende Schritte zu beachten:

- Schließen Sie das Ladegerät ans Netz an
- Schließen Sie die Batterie an das Ladegerät an
- Der Standard-Ladeprozess beginnt und endet voll automatisch, ohne, dass irgendeine Taste gedrückt werden muss
- Regenerationsmodi können durch Drücken der Taste EQU/DES während der Kontrollzeit (10s) nach Batterieanschluss ausgelöst werden
- Trennen Sie die Batterie erst nach Beendigung des Ladeprozesses (grünes Display) ab
- Trennen Sie das Ladegerät nicht während des Ladevorgangs oder Regenerationsmodus vom Netz
- Falls Sie die Batterie während des Ladevorgangs vom Ladegerät (gelbes Display) abtrennen müssen, beenden Sie den Ladevorgang mittels der STOP-Taste

5.2 Unsachgemäße Verwendung

HINWEIS

Das Ladegerät ist ausschließlich für folgenden Zweck konstruiert – das Aufladen von Antriebsbatterien. Jegliche Verwendung über diesen Zweck hinaus gilt als unsachgemäß. Der Hersteller übernimmt keine Haftung für Schäden oder unerwartete bzw. falsche Ergebnisse, die aus einer solchen Nutzung resultieren.



Im Falle einer unsachgemäßen Verwendung drohen:

- Verletzungen oder Tod des Betriebspersonals oder Dritter
 - Beschädigung der Geräte und anderer Sachanlagen
 - ineffizienter Betrieb des Ladegeräts
-

6. Wartung und Fehlerbehebung

Unter normalen Betriebsbedingungen benötigt das Ladegerät nur minimale Pflege und Wartung. Lesen Sie folgende wichtige Punkte, um die langfristige Nutzung des Geräts zu gewährleisten.

Vor dem Einschalten kontrollieren Sie immer:

- Den Netzstecker und das Kabel
- Die Ladekabel
- Den Ladestecker für den Batterieanschluss
- Jegliche Anzeichen von Beschädigung

Falls die Gehäuseoberfläche des Ladegeräts verschmutzt ist, reinigen Sie es nur mit einem weichen Tuch und einem lösungsmittelfreien Reinigungsmittel.

Reparaturanweisungen:

- Wartungen und Reparaturen dürfen nur von einem qualifizierten Techniker durchgeführt werden
- Verwenden Sie nur Original-Ersatzteile
- Nehmen Sie keine Änderungen, Anpassungen usw. ohne Zustimmung des Herstellers vor.
- Um eine sichere Wartung und Fehlerbehebung zu ermöglichen, sichern Sie um das Ladegerät mindestens 1 Meter freien Raum

Wir können nicht garantieren, dass anderswo gekaufte Teile so konzipiert und hergestellt sind, dass sie den gegebenen Anforderungen genügen oder die Sicherheitsanforderungen erfüllen.

7. Entsorgung

Werfen Sie das Ladegerät nicht in den Hausmüll!

Für die Erfüllung der EU-Richtlinie 2002/96/EU über Elektro- und Elektronik-Altgeräte und deren nationale Umsetzung, müssen elektrische Geräte mit abgelaufener Lebensdauer zur ökologischen Entsorgung in einem zugelassenen Recyclingzentrum abgegeben werden.

Alle elektrische Geräte, die bereits stillgelegt sind, müssen entweder an den Händler zurückgegeben oder autorisierten Entsorgungs- und Recyclingstellen übergeben werden. Die Nichteinhaltung dieser EU-Richtlinie kann nachteilige Auswirkungen auf die Umwelt und Ihre Gesundheit haben!

Für den Fall, dass Sie das Ladegerät in einem Land außerhalb der EU entsorgen, befolgen Sie die entsprechenden Rechtsvorschriften dieses Staates.

Das Zubehör und die Verpackung - sowohl als auch das Ladegerät - soll mit Bezug auf Umweltschutz entsorgt werden.

8. Garantie und Haftung

Der Hersteller haftet nur für durch ihn verursachte Mängel. Der Hersteller übernimmt jedoch keine Haftung, wenn der Schaden durch eine oder mehrere der folgenden Faktoren verursacht wurde:

- Zweckwidrige Verwendung des Ladegeräts
- Unsachgemäße Installation und Betrieb
- Betrieb des Ladegerätes mit defekten Schutzeinrichtungen
- Nichteinhaltung der Betriebsanweisungen
- Nicht autorisierte Änderungen des Ladegeräts
- Katastrophen durch die Handlungen Dritter und höhere Gewalt

Der Nutzer haftet für alle Änderungen, die die Geräteeinstellungen betreffen. Der Hersteller übernimmt keine Haftung für gelöschte Einstellungen des Ladegeräts.

Ein unsachgemäßer Betrieb oder Lagerung des Ladegerätes ist nicht zulässig. Der Hersteller haftet nicht für Schäden, die durch unsachgemäße Verwendung oder Lagerung entstehen.

9. Packungsinhalt und Transport

Jedes Paket enthält:

- Ladegerät
- Betriebsanleitung

Detaillierte Verpackungsspezifikationen, z.B. des mitgelieferten Zubehörs, sind auf dem Lieferschein aufgeführt.

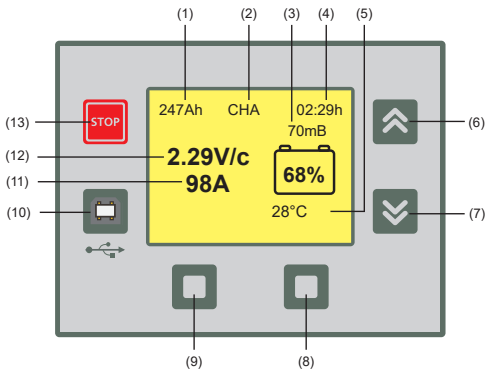
Bewahren Sie dieses Handbuch während der gesamten Lebensdauer des Ladegeräts auf.

Diese Betriebsanleitung soll dem Bediener jederzeit zur Verfügung stehen.

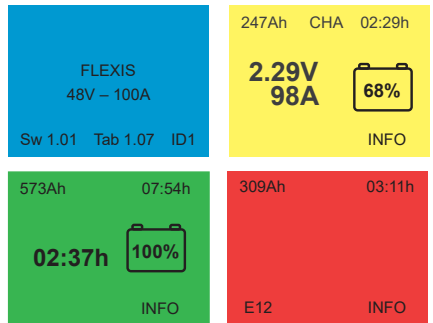
Der Transport sollte immer in der Originalverpackung erfolgen. Während des Transports ist eine trockene Umgebung zu gewährleisten, gehen Sie vorsichtig mit dem Ladegerät um, es enthält zerbrechliche Bestandteile, und transportieren Sie es in der richtigen Position, so wie auf der Verpackung angegeben. Richten Sie sich nach dem Schild auf der Originalverpackung

10 Display

FLEXIS



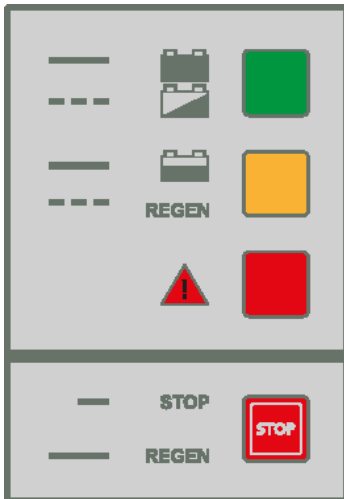
- (1) gelieferte Ah, (2) Ladephase,
 (3) Druck in dem EUW System, (4) Ladezeit,
 (5) Batterietemperatur, (6) Aufwärts-Taste,
 (7) Abwärts-Taste, (8) (9) Funktionstasten,
 (10) USB-Schnittstelle, (11) Ladestrom,
 (12) Batteriespannung V/Zelle, (13) STOP-Taste



Farbige Beleuchtung des Displays:

- blau / logo – bereit (ohne angeschlossene Batterie)
- gelb – Lade-oder Regenerationsmodi
- grün – aufgeladene Batterie
- rot – Fehler (Fehlercodes in Kapitel 12.)

FORTIS



Grüne LED

- leuchtet – aufgeladen
- blinkt – wird geladen

Gelbe LED

- leuchtet – Endphase des Ladevorgangs
- blinkt – Regenerationsmodi

Rote LED

- leuchtet – Fehler

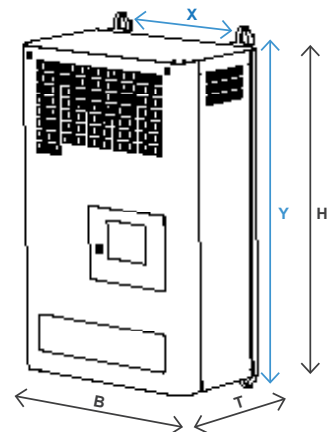
STOP-Taste

- Zum Beenden des Ladevorgangs
- Zum Starten der Regenerationsmodi

11 Technische Daten

Nominale Eingangsspannung	Einphasig, 1 N PE 230V ±15% 50/60Hz ; typ E (z.B. 48E50) Dreiphasig, 3 N PE 400V -10%/+15% 50/60 50/60Hz ; typ D (z.B. 80D100)
Nominaler Eingangsstrom	Siehe Typentabelle
Eingangssicherung	durch einpolige oder dreipolige Sicherung in der Installation der Ladestation Größe der Sicherung entspricht dem installierten Ladegerät,
Einschaltstrom	$\leq I_{nom}$
Wirkungsgrad	bis zu 94%
Schutzklasse	I
Verschmutzungsgrad	2
Schutzart	IP20
Schutzart nach Öffnung des Ladegeräts	IP00
Isolationsfestigkeit Eingang - Ausgang	4,2 kVDC
Toleranzbereich - Ausgangsspannung	±1%
Toleranzbereich - Ausgangsstrom	±2%
Sicherheit (LVD)	EN 62368-1
Elektromagnetische Verträglichkeit (EMC)	EN 61000-6-2, EN 61000-6-4
Gehäusefarbe	Blau oder auf Kundenwunsch
Befestigungsart des Ladegeräts	Aufhängung an vertikalen Flächen oder Aufstellen auf waagerechten Flächen
Kühlung	mit Innenlüftern
Kabelanschluss	im unteren Teil der Frontseite des Ladegeräts
Arbeitsumgebung	-10°C bis +40°C, max. rel. Luff. 80%, nichtkondensierend
Lagerung	in trockenen Räumen -25°C bis +80°C max. rel. Luff. 80%, nichtkondensierend
Temperaturfühler – Abmessungen	Ø 6mm, 50mm Länge, Kabellänge 1,5m
Temperaturmessungsbereich	0°C bis 80°C
Sonde des Elektrolytstands - Maße/ Spannung	Ø 8mm, Länge 150mm, Kabellänge 1,5m / 5 bis 9VDC

Gehäuse	Abmessungen (mm)			Bohrungsabstände (mm)	
	H	B	T	X	Y
FF170	477	302	169	230	515
FF250	477	302	254	230	515
FF330	477	302	339	230	515
FF550	477	547	339	499	515
FF720	477	717	339	669	515
FF1000	835	1006	380	Ständer	



FLEXIS

Ausgangs- spannung (V)	Ausgangs- strom (A)	Netz (VAC)	Eingangs- strom (A)	Netz- sicherung (A)	Eingangs- leistung (VA)	
24	60	230	8,7	10	1950	
	100	230	14,1	16	3250	
	100	3 x 400	4,9	6	3390	
	200	3 x 400	9,8	10	6780	
	300	3 x 400	14,7	16	10170	
	400	3 x 400	19,6	20	13560	
48	50	230	14,1	16	3250	
	50	3 x 400	4,9	6	3390	
	100	3 x 400	8,0	10	5550	
	150	3 x 400	12,9	16	8940	
	200	3 x 400	16,0	20	11100	
	250	3 x 400	20,9	25	14490	
	300	3 x 400	24,0	25	16650	
	400	3 x 400	32,0	32	22200	
80	25	230	14,1	16	3250	
	25	3 x 400	4,9	6	3390	
	50	3 x 400	8,0	10	5550	
	75	3 x 400	12,9	16	8940	
	100	3 x 400	16,0	20	11100	
	125	3 x 400	20,9	25	14490	
	150	3 x 400	24,0	32	16650	
	175	3 x 400	28,9	32	20040	
	200	3 x 400	32,0	32	22200	
	225	3 x 400	36,9	40	25590	
	250	3 x 400	40,0	40	27750	
	275	3 x 400	44,9	50	31140	
220	300	3 x 400	48,0	50	33300	
	400	3 x 400	64,0	80	55500	
	24	3 x 400	8,0	10	5550	
	48	3 x 400	16,0	16	11100	
	72	3 x 400	24,0	24	16650	
	96	3 x 400	32,0	32	22200	
	120	3 x 400	40,0	40	27750	
400	144	3 x 400	48,0	50	33300	
	192	3 x 400	56,0	63	38850	
	12	3 x 400	8,0	10	5550	
	24	3 x 400	16,0	16	11100	
	36	3 x 400	24,0	25	16650	
	48	3 x 400	32,0	32	22200	
	60	3 x 400	40,0	40	27750	
	72	3 x 400	48,0	50	33300	

Der Hersteller behält sich das Recht vor, Änderungen zu machen.

	Gehäuse mit EUW	Gehäuse ohne EUW	Typ	Gewicht (kg)	
				mit EUW	ohne EUW
	FF170	FF170	FLEXIS 24E60	18	16
	FF170	FF170	FLEXIS 24E100	18	16
	FF170	FF170	FLEXIS 24D100	19	17
	FF250	FF250	FLEXIS 24D200	27	25
	FF550	FF550	FLEXIS 24D300	40	38
	FF550	FF550	FLEXIS 24D400	57	55
	FF170	FF170	FLEXIS 48E50	19	17
	FF170	FF170	FLEXIS 48D50	20	18
	FF170	FF170	FLEXIS 48D100	22	20
	FF250	FF250	FLEXIS 48D150	30	28
	FF250	FF250	FLEXIS 48D200	32	30
	FF330	FF330	FLEXIS 48D250	40	38
	FF550	FF550	FLEXIS 48D300	48	46
	FF550	FF550	FLEXIS 48D350	62	60
	FF550	FF550	FLEXIS 48D400	65	63
	FF250	FF170	FLEXIS 80E25	20	16
	FF250	FF170	FLEXIS 80D25	21	17
	FF250	FF170	FLEXIS 80D50	24	20
	FF330	FF250	FLEXIS 80D75	32	28
	FF330	FF250	FLEXIS 80D100	34	30
	FF550	FF330	FLEXIS 80D125	45	39
	FF550	FF330	FLEXIS 80D150	47	41
	FF550	FF550	FLEXIS 80D175	56	52
	FF550	FF550	FLEXIS 80D200	58	55
	FF720	FF720	FLEXIS 80D225	67	63
	FF720	FF720	FLEXIS 80D250	78	74
	FF720	FF720	FLEXIS 80D275	85	81
	FF720	FF720	FLEXIS 80D300	87	83
	FF1000	FF1000	FLEXIS 80D400	135	131
	FF250	FF170	FLEXIS 220D24	24	20
	FF330	FF250	FLEXIS 220D48	34	30
	FF550	FF330	FLEXIS 220D72	45	41
	FF550	FF550	FLEXIS 220D96	59	55
	FF720	FF720	FLEXIS 220D120	70	66
	FF720	FF720	FLEXIS 220D144	79	75
	FF1000	FF1000	FLEXIS 220D192	136	132
	FF250	FF170	FLEXIS 400D12	24	20
	FF330	FF250	FLEXIS 400D24	34	30
	FF550	FF330	FLEXIS 400D36	44	40
	FF550	FF550	FLEXIS 400D48	59	55
	FF720	FF720	FLEXIS 400D60	78	74
	FF720	FF720	FLEXIS 400D72	87	83

FORTIS

Nom. Ausgangs spannung (V)	Max. Ausgangsstrom (A)	Typ	Gehäuse	Gewicht (kg)	Netz sicherung (A)	Eingangsstrom (A)
24	60	FORTIS 24E60	FF170	13	10	8,7
	100	FORTIS 24E100	FF170	13	16	14,1
	100	FORTIS 24D100	FF170	14	6	4,9
	200	FORTIS 24D200	FF250	25	10	9,8
48	50	FORTIS 48E50	FF170	13	16	14,1
	50	FORTIS 48D50	FF170	14	6	4,9
	100	FORTIS 48D100	FF170	18	10	8,0
	150	FORTIS 48D150	FF250	27	16	12,9
	200	FORTIS 48D200	FF250	30	20	16,0
	25	FORTIS 80E25	FF170	13	16	14,1
80	25	FORTIS 80D25	FF170	14	6	4,9
	50	FORTIS 80D50	FF170	17	10	8,0
	75	FORTIS 80D75	FF250	26	16	12,9
	100	FORTIS 80D100	FF250	28	20	16,0
	125	FORTIS 80D125	FF330	37	25	20,9
	150	FORTIS 80D150	FF330	40	32	24,0
	175	FORTIS 80D175	FF550	49	32	28,9
	200	FORTIS 80D200	FF550	52	40	32,0
	225	FORTIS 80D225	FF720	63	40	36,9

12 Fehlermeldungen

FLEXIS

Code	Fehlerbeschreibung	Mögliche Ursache	Mögliche Behebung
E1x	Schlechte Anfangsbedingungen, Störung der Batterie, hohe Batterietemperatur		
E11	Batteriespannung ist niedriger als 98% Unom - tiefentladene Batterie.	<ul style="list-style-type: none"> Batterie wurde während des Betriebs zu stark entladen falsche Einstellungen fehlerhafte Kalibrierung des Ladegerätes 	<ul style="list-style-type: none"> Kontrolle des Elektrolytstandes auf max. 80% der Batteriekapazität entladen Kontrolle der Ladegeräteinstellung Neu-Kalibrierung des Ladegerätes
E12	Abklemmen der Batterie ohne Beendigung des Ladevorganges durch die STOP-Taste.	<ul style="list-style-type: none"> Unzulässiges Abklemmen der Batterie während des Ladevorganges 	<ul style="list-style-type: none"> Für Beendigung des Ladevorganges immer die STOP-Taste drücken
E13	Batterietemperatur > TbatMAX: - wenn die Batterietemperatur beim Anschluss an das Ladegerät höher als der festgelegte Sollwert ist, wird der Ladevorgang nicht eingeleitet - Falls die Temperatur diesen Wert während des Ladevorganges überschreitet, reduziert sich der Ladestrom auf den eingegebenen Wert und der Ladeprozess wird fortgesetzt. Sobald die Temperatur auf (TbatMAX-2)°C gesunken ist, erhöht sich der Ladestrom wieder auf den eingegebenen Wert I1.	<ul style="list-style-type: none"> Temperatur der Batterieumgebung zu hoch Zyklen des Auf- und Entladens verlaufen ohne Pausen in kontinuierlicher Abfolge Zu hoher Strom beim Aufladen der Batterie 	<ul style="list-style-type: none"> Umgebungstemperatur reduzieren Längere Pausen zwischen dem Auf- und Entladen der Batterie Kontrolle der Ladegeräteinstellung
E14	Temperatur im Ladegerät >65°C: - wenn die Batterietemperatur beim Anschluss an das Ladegerät höher als der festgelegte Sollwert ist, wird der Ladevorgang nicht eingeleitet - Falls die Temperatur diesen Wert während des Ladevorganges überschreitet, reduziert sich der Ladestrom auf den eingegebenen Wert und der Ladeprozess wird fortgesetzt. Sobald die Temperatur auf (TbatMAX-2)°C gesunken ist, erhöht sich der Ladestrom wieder auf den eingegebenen Wert I1.	<ul style="list-style-type: none"> Zu hohe Umgebungstemperatur Ladegerät in hohem Maße verstaubt 	<ul style="list-style-type: none"> Umgebungstemperatur reduzieren Ladegerät gründlich säubern Falls das Ladegerät mit einem Staubfilter ausgestattet ist, diesen kontrollieren und ggf. auswechseln
E15	Batteriespannung > Umax (Einstellung in den Kennlinien).	<ul style="list-style-type: none"> Fehler des Leistungsmoduls Fehler des Steuersystems 	<ul style="list-style-type: none"> Reparatur/Austausch des Leistungsmoduls Reparatur/Austausch des Steuersystems
E2x	Fehlerhafte Ladezeit		
E21	Phase des konstanten Stroms I1 dauert zu lange, der Ladevorgang wird durch die Störung abgebrochen.	<ul style="list-style-type: none"> Fehlerhafte Batterie oder falsche Einstellung des Ladegeräts Zu hohe Batteriekapazität oder niedriger Strom des Ladegeräts 	<ul style="list-style-type: none"> Kontrolle der Batterie - Elektrolytdichte, Temperatur, Spannung der einzelnen Zellen Kontrolle der Ladegeräteinstellungen
E22	Phase mit konstanter Spannung U1 dauert zu lange, Ladevorgang wird mit nächster Phase fortgesetzt.	<ul style="list-style-type: none"> Defekte Batterie oder falsche Einstellungen des Ladegerätes 	<ul style="list-style-type: none"> Kontrolle der Batterie - Elektrolytdichte, Temperatur, Spannung der einzelnen Zellen Kontrolle der Ladegeräteinstellungen
E23	Während des Ladevorganges wurden mehr als 130% der Nennleistung geladen.	<ul style="list-style-type: none"> Defekte Batterie oder falsche Einstellungen des Ladegerätes 	<ul style="list-style-type: none"> Kontrolle der Batterie - Elektrolytdichte, Temperatur, Spannung der einzelnen Zellen Kontrolle der Ladegeräteinstellung
E24	Während der Ladephasen I1+U1 wurde mehr als 90% der Nennkapazität geliefert.	<ul style="list-style-type: none"> Tiefentladene Batterie Falsche Einstellung des Ladegeräts 	<ul style="list-style-type: none"> Kontrolle der Batterie - Elektrolytdichte, Temperatur, Spannung der einzelnen Zellen Kontrolle der Bedingungen der Entladung Kontrolle der Einstellung des Ladegeräts
E3x	Abweichungen vom Ladestrom		
E31	Ladestrom I1 <80% des Nennwerts.	<ul style="list-style-type: none"> Beim Dreiphasennetz fehlt eine Phase Fehlerhaftes Leistungsmodul Fehlerhafte Kalibrierung des Ladegerätes 	<ul style="list-style-type: none"> Netzkontrolle Funktionskontrolle der Leistungsmodule Neu-Kalibrierung des Ladegerätes durchführen
E32	Ladestrom I1 >110% des geforderten Werts.	<ul style="list-style-type: none"> Fehlerhaftes Leistungsmodul Fehlerhafte Kalibrierung des Ladegerätes 	<ul style="list-style-type: none"> Funktionskontrolle der Leistungsmodule Neu-Kalibrierung des Ladegerätes durchführen
E5x	Belüftungsfehler		
E51	Niedriger Druck im Belüftungssystem, Fehler in der Pumpe oder im EUW-System. Falls es nicht zu einer erneuten Korrektur der Druckwerte innerhalb von einer Minute kommt, reduziert sich der Ladestrom I1 auf 80% in der Hauptladephase und die Pumpe wird nicht mehr eingeschaltet.	<ul style="list-style-type: none"> Fehler in der Verbindung des EUW-Systems oder fehlerhafte Pumpe 	<ul style="list-style-type: none"> Kontrolle des EUW-Systems und der Pumpe
E52	Hoher Druck im Belüftungssystem, Fehler in der Pumpe oder im EUW System. Falls es nicht zu einer erneuten Korrektur der Druckwerte innerhalb von einer Minute kommt, reduziert sich der Ladestrom I1 auf 80% in der Hauptladephase und die Pumpe wird nicht mehr eingeschaltet.	<ul style="list-style-type: none"> Verstopftes oder geknicktes EUW-System 	<ul style="list-style-type: none"> Kontrolle des EUW-Systems
E53	Mehr als 5 Störungen im EUW-System (Druck entweder zu hoch oder zu niedrig) während des Ladezyklus; der Ladestrom I1 reduziert sich auf 80% in der Hauptlade-phase und die Pumpe wird nicht mehr eingeschaltet.	<ul style="list-style-type: none"> Druckverlust im Belüftungssystem Verstopftes oder geknicktes EUW- System 	<ul style="list-style-type: none"> Kontrolle des EUW-Systems und der Pumpe

E54	Undichte Stelle im EUW-System; nach Ausschalten der Pumpe nimmt der Druck rapide ab.	<ul style="list-style-type: none"> • Druckverlust im EUW-System 	<ul style="list-style-type: none"> • Kontrolle des EUW-Systems und der Pumpe
E55	Blockierung des Ladegerätes aufgrund von Störungen im EUW-System.	<ul style="list-style-type: none"> • Blockierung des Ladegerätes wegen Überschreitung der eingestellten Fehleranzahl E51, E52, E54 • Fehler im EUW-System oder fehlerhafte Pumpe • Verstopfte oder geknickte EUW-Verschlauchung 	<ul style="list-style-type: none"> • Kontrolle der Belüftungsrohrleitungen und Pumpe • Ladegerät muss von einem Servicetechniker entsperrt werden
E9x	Kommunikationsfehler		
E91	Kommunikationsfehler mit dem Identifikationsmodul (IM) beim Anschluss der Batterie.	<ul style="list-style-type: none"> • Im ist außer Betrieb, defekt oder nicht programmiert • Verbindungskabel oder -stecker defekt 	<ul style="list-style-type: none"> • IM verbinden, austauschen oder programmieren • Verbindung zwischen IM und Ladegerät kontrollieren
E94	Kommunikationsfehler mit Temperatursensor.	<ul style="list-style-type: none"> • Defekter Temperatursensor • Verbindungskabel oder -stecker defekt 	<ul style="list-style-type: none"> • IM oder Temperatursensor austauschen • Verbindung von Ladegerät mit IM und Temperatursensor kontrollieren
F1x	Fehlerhafte Anfangsbedingungen oder Störungen der Batterie		
F10	Angeschlossene Leistungsmodule mit unterschiedlichen Spannungspegeln.	<ul style="list-style-type: none"> • angeschlossene Leistungsmodule mit unterschiedlichen Spannungspegeln • Fehlerhafte Kalibrierung 	<ul style="list-style-type: none"> • Korrekte Module benutzen • Kalibrierung der Leistungsmodule
F11	Angeschlossene Leistungsmodule mit unterschiedlichen Spannungspegeln.	<ul style="list-style-type: none"> • Stark sulfatierte Batterie 	<ul style="list-style-type: none"> • Kontrolle der Batterie und des Gebrauchs • Messung der Elektrolytdichte und der Spannung der einzelnen Zellen durchführen. Desulfatationsladung vornehmen
F12	Ausgangsspannung der Batterie > 135% Unom/V/Zelle - ungeeignete Batterie.	<ul style="list-style-type: none"> • Batterie mit höherer, als im Ladegerät eingestellter Nennspannung 	<ul style="list-style-type: none"> • Kontrolle der Batteriespannung
F13	Batteriespannung >115% Unom, das Aufladen der Batterie beginnt erst nach Abfall unter 115% Unom.	<ul style="list-style-type: none"> • die Batterie ist geladen 	<ul style="list-style-type: none"> • die Batterie abklemmen • Falls sie angeschlossen bleibt, beginnt nach dem Spannungsabfall automatisch der Ladevorgang
F14	Batteriespannung überschritt während des Ladevorgangs die eingegebene Obergrenze Umax I2, der Ladevorgang wird abgebrochen.	<ul style="list-style-type: none"> • Fehlerhafte Batterie • Fehlerhafter Anschluss der Batterie an das Ladegerät • Störung des Ladegeräts 	<ul style="list-style-type: none"> • Kontrolle der Batterie, Messung der Elektrolytdichte und Spannung der einzelnen Zellen • Kontrolle der Verbindung zwischen Ladegerät und Batterie • Kontrolle der Funktionen des Ladegeräts
F15	Spannungsmonitore (Absolutwerte) der einzelnen Module in Parallelschaltung unterscheiden sich um mehr als 3% von der Nennspannung der anderen Module.	<ul style="list-style-type: none"> • Fehler der Spannungsmonitore 	<ul style="list-style-type: none"> • Reparatur/Austausch des Moduls
F16	Batterietemperatur während des Ladevorgangs >Tbat MAX, der Ladevorgang wird abgebrochen.	<ul style="list-style-type: none"> • Zu hohe Temperatur im Batterieuimfeld • Die Zyklen des Auf- und Entladens verlaufen ohne Pause in unmittelbarer Abfolge • Zu hoher Strom beim Aufladen der Batterie 	<ul style="list-style-type: none"> • Die Umgebungstemperatur senken • Zwischen Auf- und Entladen der Batterie Pausen machen • Kontrolle der Einstellung des Ladegeräts
F17	Die Ausgangsspannung ist während des Ladevorgangs für einen längeren Zeitraum als 1min für einen längeren Zeitraum als 1min niedriger als Umin.	<ul style="list-style-type: none"> • Störung des Leistungsmoduls 	<ul style="list-style-type: none"> • Reparatur oder Austausch des Leistungsmoduls
F18	Niedriger Elektrolytstand	<ul style="list-style-type: none"> • Unzureichende Wartung • Fehler beim automatischen Ausfüllen • Falsche Einstellung der Ventilschaltfunktion 	<ul style="list-style-type: none"> • Wasser in die Batterie füllen • Auto-Funktionsprüfung ausfüllen • Überprüfen Sie die Einstellungen
F2x	Fehlerhafte Ladedauer		
F21	Hauptstromphase I1 dauert zu lange; Ladevorgang wird abgebrochen.	<ul style="list-style-type: none"> • Defekte Batterie oder falsch eingestelltes Ladegerät 	<ul style="list-style-type: none"> • Kontrolle der Batterie - Elektrolytdichte, Temperatur, Spannung der einzelnen Zellen • Kontrolle der Ladegeräteeinstellungen
F22	Phase der konstanten Spannung U1 dauert zu lange; der Ladevorgang wird abgebrochen.	<ul style="list-style-type: none"> • Defekte Batterie oder falsch eingestelltes Ladegerät 	<ul style="list-style-type: none"> • Kontrolle der Batterie - Elektrolytdichte, Temperatur, Spannung der einzelnen Zellen • Kontrolle der Ladegeräteeinstellungen
F23	Überschrittene max. Dauer der Phase I2.	<ul style="list-style-type: none"> • Batterie ist zu stark entladen • Falsche Einstellungen • Fehlerhafte Kalibrierung des Ladegerätes 	<ul style="list-style-type: none"> • Kontrolle des Elektrolytstands • auf max. 80% der Batteriekapazität entladen • Kontrolle der Ladegeräteeinstellung • Neu-Kalibrierung des Ladegerätes
F3x	Abweichungen des Ladestroms		
F31	Ladestrom <50% des Nennwerts; der Ladevorgang wird abgebrochen.	Ladestrom <50% des Nennwerts; der Ladevorgang wird abgebrochen.	<ul style="list-style-type: none"> • Netzkontrolle • Funktionskontrolle der Leistungsmodule • Neu-Kalibrierung durchführen
F32	Ladestrom >120% des festgelegten Werts; der Ladevorgang wird abgebrochen.	Ladestrom >120% des festgelegten Werts; der Ladevorgang wird abgebrochen.	<ul style="list-style-type: none"> • Funktionskontrolle der Leistungsmodule • Neu-Kalibrierung durchführen
F33	Ladestrom >120% des Nennwerts; der Ladevorgang wird abgebrochen.	Ladestrom >120% des Nennwerts; der Ladevorgang wird abgebrochen.	<ul style="list-style-type: none"> • Funktionskontrolle der Leistungsmodule • Neu-Kalibrierung durchführen
F35	Während des Ladevorgangs wird mehr als 125% der Nennkapazität der Batterie geliefert.	<ul style="list-style-type: none"> • Defekte Batterie • Fehlerhafte Einstellung des Ladegeräts 	<ul style="list-style-type: none"> • Batteriekontrolle • Max.80% der Batteriekapazität entladen • Kontrolle der Ladegeräteeinstellung

F4x	Kommunikation des Steuerungssystems		
F40	Kommunikationsfehler mit dem Leistungsmodul.	<ul style="list-style-type: none"> • falscher Kontakt • Fehler des Steuerungssystems • Fehler des Moduls 	<ul style="list-style-type: none"> • Kontrolle der Verbindung • Reparatur/Austausch des Steuerungssystems • Reparatur/Austausch des Moduls
F6x	Initialisierungsfehler		
F60	Unrichtige Art der Ladekennlinie	• Ladegerät hat andere Art der Ladekennlinie eingestellt als externes Modul (IM/BM) hat	• Gleiche Ladekennlinie muss im Ladegerät sowohl als auch im externen Module eingestellt werden
F61	Art der Ladekennlinie entspricht der Nennspannung der Zelle nicht	• Einige Arte der Ladekennlinien können nur zur Aufladen von bestimmten Arten der Batterien benutzt werden	• Richtige Art der Ladekennlinie muss eingestellt werden
F62	Unrichtig eingestellte Zellenanzahl	• Ganzzahlige Wert der Zellen entspricht eingestellter Batteriespannung und nominaler Zellenspannung nicht	• Nennspannung der Batterie muss ganzzahliges Vielfache der Zellenspannung sein
F63	Nennspannung der Batterie ist höher als die Grenze welche Ladegerät noch geben kann	• Batterie mit IM/BM wurde angeschlossen, wo höhere Spannung als Ladegerätsspannung eingestellt ist	• Ladegerät mit höherer Ausgangsspannung muss benutzt werden
F64	Unrichtige Einstellung des Ladegeräts oder des externen Modules (IM/BM)	<ul style="list-style-type: none"> • Unrichtige Kapazität eingestellt - außer Bereich 10 - 10000 Ah • Unrichtige Nummer der Ladekennlinie, außer Bereich 1 - 120 • Allgemeine Fehler in Registern 	• Werte müssen innerhalb richtiger Bereich eingestellt werden

FORTIS

Fehlerbeschreibung	Mögliche Ursache	Verhalten des Ladegeräts und der LED-Anzeige	Mögliche Behebung
Äußere Einflüsse			
Unterspannung oder Überspannung im Versorgungsnetz	<ul style="list-style-type: none"> Fehler beim Anschluss der Elektroinstallation 	<ul style="list-style-type: none"> das Ladegerät gibt keinen Strom Rote LED blinkt 2x kurz hintereinander, dann eine längere Verzögerung 	<ul style="list-style-type: none"> Kontrolle der Spannung in der Elektroinstallation Mängelbeseitigung so, damit das Versorgungsnetz in einer Toleranz von $\pm 10\%$ aufweist
Batteriefehler			
Ubat < 1,3V/Zelle	<ul style="list-style-type: none"> Anschluss einer ungeeigneten Batterie mit geringerer Nennspannung Fehlerhafte, bzw. extrem entladene Batterie 	<ul style="list-style-type: none"> Bei Batterieanschluss beginnt der Ladevorgang nicht, keine Anzeige 	<ul style="list-style-type: none"> Austausch der Batterie oder ihre Regeneration
2,3V/Zelle < Ubat < 2,7V/Zelle	<ul style="list-style-type: none"> Die Batterie ist vollständig geladen 	<ul style="list-style-type: none"> Bei Batterieanschluss beginnt der Ladevorgang nicht Die grüne LED leuchtet dauerhaft 	<ul style="list-style-type: none"> Die Batterie abtrennen, bzw. auf den Spannungsabfall unter 2,3V/ Zelle warten, wo automatisch der Ladevorgang beginnt
Ubat > 2,7V/Zelle	<ul style="list-style-type: none"> Ungeeignete Batterie mit höherer Nennspannung 	<ul style="list-style-type: none"> Bei Batterieanschluss beginnt die rote LED zu leuchten 	<ul style="list-style-type: none"> Beim Abtrennen der Batterie und Spannungsabfall am Ausgang unter 1,3V/ Zelle, erlischt die rote LED
1,3V/Zelle < Ubat < 2,0V/Zelle	<ul style="list-style-type: none"> Die Batterie ist tiefentladen 	<ul style="list-style-type: none"> Aufladen die grüne LED blinkt 	<ul style="list-style-type: none"> Aufladen mit geringerem Strom 50% I_{max} Bis zum Erreichen von 1,75V/ Zelle. Von 1,75 bis 2,0V/ Zelle mit sich erhöhendem Strom auf I_{max}
Ein unbefriedigender Batterietest zu Beginn des Ladevorgangs	<ul style="list-style-type: none"> Batterie mit großem inneren Widerstand Sulfatierte Batterie 	Abhängig von der Einstellung des Ladegeräts: <ul style="list-style-type: none"> Übergang zum Status Desulfatierung, die grüne und gelbe LED blinken (VorabEinstellung aus der Produktion) oder der Ladevorgang wird beendet, die rote LED beginnt zu leuchten 	<ul style="list-style-type: none"> Austausch der Batterie oder ihre Regenerierung
Fehler während des Ladevorgangs			
Die Batterie wurde während des Ladevorgangs abgetrennt ohne reguläres Ausschalten des Ladegeräts	<ul style="list-style-type: none"> Ungeschulte Bedienung des Ladegeräts 	<ul style="list-style-type: none"> Abbruch des Ladevorgangs Die rote LED beginnt zu leuchten 	<ul style="list-style-type: none"> Die Bedienung schulen, sonst kommt es zur Zerstörung der Kontakte am Konnektor und es droht Explosionsgefahr
Überschreiten der Anzahl der gelieferten Ah >135% C _{nom}	<ul style="list-style-type: none"> Ungeeignete Batterie Fehlerhafte Einstellung des Ladegeräts 	<ul style="list-style-type: none"> Abbruch des Ladevorgangs Die grüne und rote LED beginnen zu leuchten 	<ul style="list-style-type: none"> Batteriewechsel Kontrolle der Einstellungen des Ladegeräts
Abweichung beim Wert des Ladestroms	<ul style="list-style-type: none"> Fehlerhaftes Leistungsteil des Ladegeräts Fehlerhafte Steuerung 	<ul style="list-style-type: none"> Abbruch des Ladevorgangs Die rote LED beginnt zu leuchten Sie erlischt erst nach Abschalten des Ladegeräts 	<ul style="list-style-type: none"> Reparatur des Ladegeräts
Abweichung beim Wert der Ladespannung	<ul style="list-style-type: none"> Fehlerhafte Steuerung 	<ul style="list-style-type: none"> Abbruch des Ladevorgangs Die rote LED beginnt zu leuchten Sie erlischt erst nach Abschalten des Ladegeräts 	<ul style="list-style-type: none"> Reparatur des Ladegeräts
Ubat < 1,3V/ Zelle während des Ladevorgangs	<ul style="list-style-type: none"> Fehlerhafte oder ungeeignete Batterie 	<ul style="list-style-type: none"> Abbruch des Ladevorgangs Die grüne LED erlischt 	<ul style="list-style-type: none"> Austausch der Batterie oder ihre Regenerierung
Überhitzung des Ladegeräts	<ul style="list-style-type: none"> Hohe Umgebungstemperatur Das Ladegerät ist verstaubt Die inneren Lüfter funktionieren nicht 	<ul style="list-style-type: none"> Abbruch des Ladevorgangs Die rote LED beginnt zu leuchten Nach dem Abkühlen beginnt automatisch der Ladevorgang, die rote LED erlischt 	<ul style="list-style-type: none"> Senken der Umgebungstemperatur Das Ladegerät reinigen Kontrolle der Lüfter
Defekter Temperatursensor	<ul style="list-style-type: none"> Beschädigtes Kabel Defekter Konnektor 	Abhängig von der Einstellung des Ladegeräts: <ul style="list-style-type: none"> der Ladevorgang beginnt, die rote LED leuchtet dabei, die grüne LED blinkt (VorabEinstellung aus der Produktion) oder der Ladevorgang beginnt nicht, die rote LED beginnt zu leuchten 	<ul style="list-style-type: none"> Kontrolle des Kabels oder des Konnektors vom Sensoren

12.1 Modul–Störungen

(werden im Ordner EREIGNISSE im Programm AXIFF oder AXISET angezeigt)

F1	Fehler des Versorgungsnetzes	F5	Fehler des Ausgangsrelais
F2	Überhitzung der Dioden	F6	Fehler der CAN-Bus-Kommunikation
F3	Überhitzung der Transistoren	F7	Fehler der internen Stromquelle
F4	Überspannung am Ausgang	F8	unzulänglich Leistung

Erläuterungen und verwendete Abkürzungen

A	Amper (Strom)	I1, U1, I2	charakteristische Werte der Ladekennlinie
Ah	Amperestunde	kg	Kilogramm
A/100Ah	Strom bezogen auf 100Ah der atteriekapazität	kVA	Eingangleistung
CE	Symbol zur Übereinstimmungskennzeichnung mit den Normen	m	Meter
Cnom	Nennkapazität der Batterie	maintenance	Erhaltungsladung
°C	Celsiusgrad (Temperatur)	min	Minute
DES	Desulphatierung	s	Sekunde
EQU	Ausgleichsladung	SN	Produktionsnummer
EUW	Elektrolytumwählung	Unom	Nennspannung
float	Floating Charge	V	Volt (Spannung)
Std.	Stunde	V/Zelle	Volt/Batteriezelle
Hz	Herz (Frequenz)	VAC	Wechselschpannung
IM	Identifikationsmodul	VDC	Gleichstromspannung
Inom	Nennstrom	3 N PE	Versorgungsnetz 3x400VAC/50-60Hz
IP	Schutzart	1 N PE	Versorgungsnetz 230VAC/50-60Hz



1 Úvod

PŘED POUŽITÍM SI POZORNĚ PŘEČTĚTE TENTO NÁVOD! USCHOVEJTE JEJ PRO BUDOUCÍ POTŘEBU!

Průmyslové vysokofrekvenční nabíječe řad FLEXIS a FORTIS vyráběné firmou AXIMA jsou určeny pro nabíjení trakčních baterií. Rozsah napětí baterií je 12 – 96 V, výstupní proud nabíječů je dle typu 25 – 225 A. Síťové napájení je 230 VAC nebo 3x400 VAC.

Nabíječe jsou modulární, jejich základem jsou výkonové moduly řízené mikroprocesorovým řídicím systémem po digitální sběrnici CANBUS. Paralelním spojením těchto modulů lze dosáhnout požadovaného výkonu. Řídicí systém zajišťuje řízení nabíjecího procesu, signalizaci provozních stavů na displeji (FLEXIS) nebo pomocí LED diod (FORTIS) a ukládání dat o nabíjení (FLEXIS). Technické parametry jsou uvedeny na výrobním štítku nabíječe na levém boku nabíječe.

Tento návod platí pro všechny modely nabíječů FLEXIS a FORTIS. Výrobní štítek je umístěný na levé straně nabíječe.

Kvalifikovaný technik – osoba, která má elektrotechnické vzdělání a praxi

Operátor (koncový uživatel) – osoba, která provádí připojování a odpojování baterií od nabíječe. Koncový uživatel si musí přečíst tento návod

2 Obecné informace

Bezpečnostní upozornění



NEBEZPEČÍ

– bezprostředně hrozící nebezpečí, jehož následkem může být těžké zranění nebo smrt



VAROVÁNÍ

– potenciální riziko nebezpečí, jehož následkem může být těžké zranění nebo smrt



VÝSTRAHA

– potenciální riziko nebezpečí, jehož následkem může být lehké zranění nebo škody na majetku



UPOZORNĚNÍ

– důležitá informace, která se netýká bezpečnosti, upozorňuje zejména na poškození daného zařízení

3 Bezpečnost

Návod k obsluze musí být vždy k dispozici na místě, kde se nabíječ používá. Kromě návodu k obsluze věnujte pozornost všem obecným a místním předpisům týkajícím se bezpečnosti, prevence nehod a ochrany životního prostředí. Všechna bezpečnostní upozornění umístěná na nabíječi udržujte:

- v čitelném stavu
- nepoškozené
- ničím nepřekryté

VAROVÁNÍ

- před zapnutím zařízení odstraňte všechny poruchy a překážky, které by mohly ohrozit bezpečnost
- je zakázáno provádět jakékoliv úpravy zařízení

3.1 Bezpečnostní opatření před zahájením provozu

VAROVÁNÍ

- před zahájením provozu nabíječe si pozorně přečtěte návod
- nepoužívejte nabíječ v exteriéru
- nepoužívejte nabíječ v mokřích nebo vlhkých prostorách
- neprovazujte nabíječ bez krytu, hrozí nebezpečí úrazu elektrickým proudem
- připojte nabíječ pouze ke standardní napájecí síti
- provozujte nabíječ v dobře větraných prostorách
- během provozu s nabíječem nemanipulujte
- nabíječ smí uvést do provozu pouze kvalifikovaný technik
- nabíjejte pouze baterie k tomu určené
- nedotýkejte se přívodů k pólům baterie
- během nabíjení nerozpojujte konektory mezi nabíječem a baterií
- před odpojením baterie stiskněte tlačítko STOP pro ukončení nabíjení
- při práci s bateriemi s tekutým elektrolytem zamezte jeho rozlití
- zamezte jiskření, kouření a manipulaci s otevřeným ohněm v blízkosti baterie, hrozí nebezpečí exploze
- zabezpečte, aby během nabíjení lithiové baterie nebylo překročeno maximální napětí článku určené výrobcem baterie, při překročení max. napětí článku baterie může dojít k explozi nebo požáru
- nikdy neopravujte nabíječ sami, hrozí nebezpečí úrazu el. proudem

3.2 Bezpečnostní opatření při běžném provozu

VAROVÁNÍ

- nabíječ používejte pouze v prostředí pro které je určen
- nabíječ nikdy neprovazujte, pokud existují důkazy o jeho poškození
- nabíječ smí obsluhovat pouze operátor, který si přečetl tento návod
- ujistěte se, že síťový kabel pravidelně kontroluje kvalifikovaný technik
- všechna bezpečnostní zařízení a části, které nefungují správně nebo jsou v nedokonalém stavu, musí opravit kvalifikovaný technik před zapnutím nabíječe
- nikdy nepřepínejte nebo nedeaktivujte ochranné zařízení
- pokud nabíječ nepracuje správně, neprodleně nahlase poruchu a její popis vašemu dodavateli

3.3 Nebezpečné kyseliny a plyny

VAROVÁNÍ

- při nabíjení dodržujte vzdálenost mezi baterií a nabíječem nejméně 0,5 m (cca 20 palců)
- možné zdroje nebezpečí, jako je např. oheň, udržujte mimo dosah nabíjené baterie
- zkontrolujte, zda je prostor nabíjení baterie dobře větrán
- baterie s tekutým elektrolytem představují riziko při kontaktu elektrolytu s očima nebo kůží
- používejte ochranné brýle a vhodný ochranný oděv
- v případě zasažení kyselinou důkladně opláchněte zasaženou část těla čistou vodou a pokud je to nutné, vyhledejte lékařskou pomoc
- během nabíjení se mohou uvolňovat plyny a páry, které mohou poškodit zdraví a jsou vysoce výbušné
- v žádném případě nevdechujte uvolněné plyny a páry
- neumísťujte na baterii žádné nástroje ani vodivé předměty
- připojenou baterii neodpojujte během nabíjení

3.4 Nebezpečí ze síťového napětí a nabíjecího proudu



- nebezpečí úrazu elektrickým proudem, ze síťového napětí a nabíjecího proudu
- nebezpečí elektromagnetického pole, které může ohrozit život osob používajících kardiostimulátory
- úraz elektrickým proudem může způsobit vážná zranění nebo i smrt

Dodržujte následující pokyny:

- nedotýkejte se žádných vodivých částí uvnitř nabíječe
- za žádných okolností se nedotýkejte pólů baterie
- nezkratujte nabíjecí kabely nebo svorky

UPOZORNĚNÍ

Všechny kabely a konektory musí být zajištěné, nepoškozené, izolované a dostatečně dimenzované. Uvolněné spoje, spálené, poškozené nebo nedostatečně dimenzované kabely a konektory musí být okamžitě opraveny kvalifikovaným technikem.

3.5 Ochrana osob



- v době provozu nabíječe je nepovolaným osobám zakázán vstup na pracoviště
- obsluhující personál musí být proškolen a upozorněn na všechna nebezpečí
- zajistěte obsluhujícímu personálu vhodné ochranné prostředky
- před opuštěním pracoviště se ujistěte, že lidé nebo majetek nejsou v ohrožení

3.6 Bezpečnostní prohlídka

UPOZORNĚNÍ

Proveďte bezpečnostní prohlídku zařízení alespoň jednou za 6 měsíců. Bezpečnostní prohlídku smí provádět pouze kvalifikovaný technik.

Mimo pravidelný interval prohlídku proveďte:

- po změnách
- po instalaci dalších dílů nebo po jakýchkoli přestavbách
- po opravě, péči a údržbě

Během bezpečnostní prohlídky zkontrolujte funkčnost zařízení, které řídí proces nabíjení lithiové baterie.

Při bezpečnostních prohlídkách dodržujte příslušné národní a mezinárodní normy a směrnice. Další informace o bezpečnostních prohlídkách získáte od vašeho dodavatele.

4 Instalace

4.1 Mechanická instalace

Skříň nabíječe umístěte:

- na svislou plochu (zeď), upevnění pomocí čtyř šroubů, Ø 5 – 8 mm
- na vodorovnou plochu při použití stojanu (AXI FF MONO) a upevněte šrouby

Podmínky správné instalace:



- nabíječ provozujte pouze ve svislé poloze
- při provozu musí být nabíječ umístěn do vhodných a přiměřeně větrných prostorů s teplotou do +40 °C
- zajistěte ochranu nabíječe před zplodinami z nabíjení
- zajistěte dostatečný odstup nabíječe od nabíjené baterie
- zajistěte dostatečnou ventilaci v prostoru instalace a provozu nabíječe
- zajistěte dostatečné chlazení nabíječe
- dodržujte minimální vzdálenost 100 mm od ostatních nabíječů po stranách a před čelní stranou nabíječe z důvodu zajištění dostatečné ventilace
- nezakrývejte otvory pro nasávání a vyfukování vzduchu
- nepoužívejte nabíječ v prašném prostředí

4.2 Elektrická instalace

- před připojením zkontrolujte správné zapojení zásuvky, zejména ochranného vodiče a napětí sítě
- ujistěte se, že zásuvka pro připojení nabíječe je jištěna vhodným jističem
- nabíječ se zapojuje pohyblivým přívodem do napájecí sítě
- výstupní kabely mohou být dodávány s konektorem pro připojení baterie, kladný vývod je označený červenou barvou
- nabíječ je dodáván se standardní délkou výstupních kabelů
- při změně délky kabelů upravte parametry nabíjení



Ujistěte se, že síťové připojení je řádně uzemněno!

5 Provoz

Nabíječ je ve většině případů dodáván přednastavený podle dohodnuté specifikace. Pokud tomu tak není, je nabíječ opatřen varovným štítkem „WARNING set the charger first before use“. V takovém případě proveďte nastavení kvalifikovaný technik!

Kontrola před zahájením provozu:

- zkontrolujte, zda skříň nabíječe a připojené kabely nejsou poškozeny
- zkontrolujte typ a napětí baterie, její technické parametry musí odpovídat nabíječi a jeho nastavení

5.1 Správné použití

Pro správné nabíjení dodržujte následující kroky:

- připojte nabíječ do napájecí sítě
- připojte baterii k nabíječi
- standardní nabíjení začne i skončí zcela automaticky, bez stisku jakéhokoliv tlačítka
- regenerační režimy spustíte stiskem tlačítka EQU/DES během ověřovací doby (10s) po připojení baterie - určeno pouze pro olověné baterie
- baterii odpojte až po skončení nabíjení (zelený displej)
- neodpojujte nabíječ od napájecí sítě během nabíjení nebo během regeneračního režimu
- pokud musíte odpojit baterii během nabíjení (žlutý displej), ukončete nabíjení stiskem tlačítka STOP, až poté odpojte baterii

5.2 Nesprávné použití



Nabíječ je navržen pro použití výhradně k danému účelu – nabíjení trakčních baterií. Jakékoli použití nad rámec tohoto účelu se považuje za nevhodné. Výrobce neodpovídá za žádné škody ani za neočekávané nebo nesprávné výsledky vyplývající z takového použití.



V případě nesprávného použití hrozí:

- zranění nebo úmrtí obsluhy nebo třetí osobě
 - poškození zařízení a jiných hmotných aktiv
 - neúčinný provoz nabíječe
-

6 Údržba a opravy

Za standardních provozních podmínek nabíječ vyžaduje pouze minimální péči a údržbu. Provádějte pravidelnou vizuální kontrolu nabíječe. V případě zjištění závady kontaktujte servisní středisko. Zajistěte tím, že zařízení zůstane dlouhodobě použitelné.

Před zapnutím vždy zkontrolujte:

- síťovou zástrčku a kabel
- nabíjecí vodiče
- nabíjecí konektory pro připojení baterie
- jakékoli známky poškození

Pokud je povrch skříně nabíječe znečištěný, očistěte jej pouze měkkým hadříkem a čistícím prostředkem bez rozpouštědel.

Kontrolu přístroje musí provést kvalifikovaný technik jednou za 6 měsíců.

Pokyny k opravám:

- údržbu a opravy smí provádět pouze kvalifikovaný technik
- používejte pouze originální náhradní součástky
- neprovádějte žádné změny, úpravy atd. bez souhlasu výrobce
- pro bezpečnou manipulaci při opravách a údržbě zajistěte okolo celého nabíječe prostor minimálně 1m

7 Likvidace

Nevyhazujte nabíječ do běžného komunálního odpadu!

Pro splnění evropské směrnice 2002/96/ES o odpadních elektrických a elektronických zařízeních a jejího provádění ve vnitrostátním právu je nutné odevzdat elektrická zařízení, kterým skončila jejich životnost, k ekologické likvidaci do schváleného recyklačního střediska. Jakékoli elektrické zařízení, které je již vyřazeno z provozu, musí být buď vráceno prodejci nebo předáno na schválené sběrné a recyklační místo. Nedodržení této evropské směrnice může mít nepříznivé účinky na životní prostředí a vaše zdraví!

V případě, že nabíječ budete likvidovat v zemi mimo EU, řiďte se právními předpisy daného státu.

Stejně jako nabíječ ekologicky zlikvidujte i jeho příslušenství a obal.

8 Záruka a odpovědnost

Výrobce odpovídá pouze za vady vzniklé jeho zaviněním. Výrobce však nepřijímá odpovědnost, pokud byla škoda způsobena jedním nebo více z následujících faktorů:

- použití nabíječe není v souladu s daným účelem
- nesprávná instalace a provoz
- provoz nabíječe s vadnými ochrannými zařízeními
- nedodržení provozních pokynů
- neoprávněné úpravy nabíječe
- katastrofy způsobené činností třetích stran a vyšší moci

Uživatel je odpovědný za všechny změny, které provede v nastavení přístroje. Výrobce neodpovídá za smazané nastavení nabíječe.

Nesprávný provoz nebo skladování nabíječe není přípustný. Výrobce nenes zodpovědnost za škody vzniklé v důsledku nesprávného použití nebo skladování.

9 Obsah balení a přeprava

Každé balení obsahuje:

- nabíječ
- návod k použití

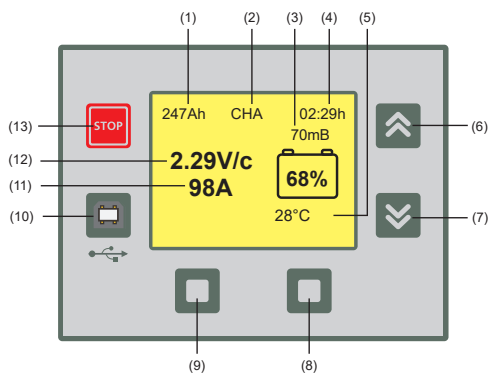
Podrobné specifikace balení je uvedena v dodacím listu, například dodávané příslušenství.

Tento návod uchovávejte během celého životního cyklu nabíječe. Skladujte jej tak, aby byl obsluze vždy k dispozici.

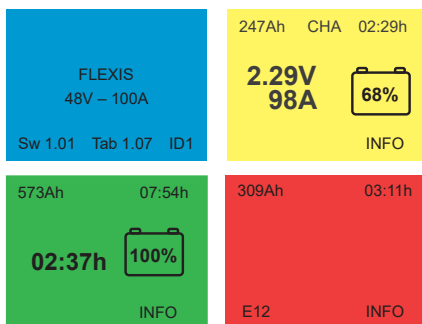
Přepravujte vždy v originálním obalu. Během přepravy zajistěte suché prostředí, manipulujte s nabíječem opatrně, obsahuje křehké součástky a udržujte ve správné poloze, která je označena na obalu. Řiďte se štítkem nalepeným na originálním obalu.

10 Displej

FLEXIS

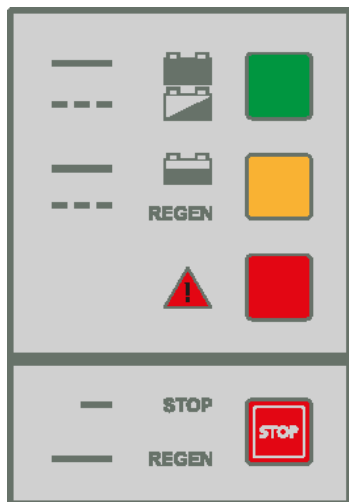


- (1) dodané Ah, (2) fáze nabíjení, (3) tlak v potrubí ,
 (4) doba nabíjení, (5) teplota baterie,
 (6) tlačítko nahoru, (7) tlačítko dolů,
 (8) (9) funkční tlačítka, (10) USB konektor,
 (11) nabíjecí proud, (12) napětí baterie V/cI.,
 (13) STOP tlačítko



- Barevné podsvícení displeje:
modré / logo – standby režim (bez připojené baterie)
žluté – nabíjení nebo regenerační režimy
zelené – nabitá baterie
červené – porucha (kódy chyb v kapitole 12.)

FORTIS



Zelená LED

svítí = nabito
 bliká = nabíjení

Žlutá LED

svítí = koncová fáze nabíjení
 bliká = regenerační režim

Červená LED

svítí = porucha

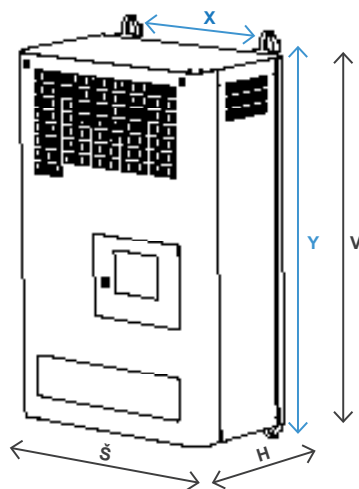
Tlačítko STOP

pro ukončení nabíjení
 pro spuštění regeneračních režimů

11 Technická data

Napájecí napětí	1 N PE 230V ±15% 50/60Hz; typ E (např. 48E100) 3 N PE 400V -10%/+15% 50/60Hz; typ D (např. 80D50)
Jmenovitý napájecí proud	Viz tabulka typů
Jištění přívodu	jednopólový nebo třípólový jistič typu C přívod dle typu nabíječe
Rozběhový proud	$\leq I_{jm}$
Účinnost	až 94%
Třída ochrany	1
Třída znečištění	2
Krytí	IP20
Krytí po otevření skříně	IP00
Izolační pevnost vstup – výstup	4,2 kVDC
Tolerance výstupního napětí	±1%
Tolerance výstupního proudu	±2%
Bezpečnost (LVD)	ČSN EN 62368-1
Elektromagnetická kompatibilita (EMC)	ČSN EN 61000-6-2, ČSN EN 61000-6-4
Barva skříně	typicky černá nebo libovolná na přání zákazníka
Způsob upevnění nabíječe	závěs na svislou plochu nebo postavení na vodorovnou plochu
Chlazení nabíječe	vnitřními ventilátory
Přívod kabelů	ve spodní části čelní strany nabíječe
Pracovní prostředí	-10°C až +40°C, max. rel. vlhkost 80%, nekondenzující
Skladování	v suchých prostorách -25°C až +80°C max. rel. vlhkost 80%, nekondenzující
Teplotní sonda – rozměry	Ø 6mm, délka 50mm, délka kabelu 1,5m
Rozsah měření teplot	-10°C až 80°C
Sonda hladiny elektrolytu – rozměry / napětí	Ø 8mm, délka 150mm / 5 až 9VDC

Skříň	Rozměry (mm)			Rozmístění montážní otvorů (mm)	
	V	Š	H	X	Y
FF170	477	302	169	230	515
FF250	477	302	254	230	515
FF330	477	302	339	230	515
FF550	477	547	339	499	515
FF720	477	717	339	669	515
FF1000	835	1006	380	stožan	



FLEXIS

Výstupní napětí (V)	Výstupní proud (A)	Síť (VAC)	Vstupní proud (A)	Jištění (A)	Příkon (VA)	
24	60	230	8,7	10	1950	
	100	230	14,1	16	3250	
	100	3 x 400	4,9	6	3390	
	200	3 x 400	9,8	10	6780	
	300	3 x 400	14,7	16	10170	
	400	3 x 400	19,6	20	13560	
48	50	230	14,1	16	3250	
	50	3 x 400	4,9	6	3390	
	100	3 x 400	8,0	10	5550	
	150	3 x 400	12,9	16	8940	
	200	3 x 400	16,0	20	11100	
	250	3 x 400	20,9	25	14490	
	300	3 x 400	24,0	25	16650	
	400	3 x 400	28,9	32	20040	
80	25	230	14,1	16	3250	
	25	3 x 400	4,9	6	3390	
	50	3 x 400	8,0	10	5550	
	75	3 x 400	12,9	16	8940	
	100	3 x 400	16,0	20	11100	
	125	3 x 400	20,9	25	14490	
	150	3 x 400	24,0	32	16650	
	175	3 x 400	28,9	32	20040	
	200	3 x 400	32,0	32	22200	
	225	3 x 400	36,9	40	25590	
	250	3 x 400	40,0	40	27750	
	275	3 x 400	44,9	50	31140	
220	300	3 x 400	48,0	50	33300	
	400	3 x 400	64,0	80	55500	
	24	3 x 400	8,0	10	5550	
	48	3 x 400	16,0	16	11100	
	72	3 x 400	24,0	24	16650	
	96	3 x 400	32,0	32	22200	
	120	3 x 400	40,0	40	27750	
400	144	3 x 400	48,0	50	33300	
	192	3 x 400	56,0	63	38850	
	12	3 x 400	8,0	10	5550	
	24	3 x 400	16,0	16	11100	
	36	3 x 400	24,0	25	16650	
	48	3 x 400	32,0	32	22200	
	60	3 x 400	40,0	40	27750	
	72	3 x 400	48,0	50	33300	

	Skříň se vzdu- chováním	Skříň bez vzdu- chování	Typ	Hmotnost (kg)	
				se vzdu- chováním	bez vzdu- chován
	FF170	FF170	FLEXIS 24E60	18	16
	FF170	FF170	FLEXIS 24E100	18	16
	FF170	FF170	FLEXIS 24D100	19	17
	FF250	FF250	FLEXIS 24D200	27	25
	FF550	FF550	FLEXIS 24D300	40	38
	FF550	FF550	FLEXIS 24D400	57	55
	FF170	FF170	FLEXIS 48E50	19	17
	FF170	FF170	FLEXIS 48D50	20	18
	FF170	FF170	FLEXIS 48D100	22	20
	FF250	FF250	FLEXIS 48D150	30	28
	FF250	FF250	FLEXIS 48D200	32	30
	FF330	FF330	FLEXIS 48D250	40	38
	FF550	FF550	FLEXIS 48D300	48	46
	FF550	FF550	FLEXIS 48D350	62	60
	FF550	FF550	FLEXIS 48D400	65	63
	FF250	FF170	FLEXIS 80E25	20	16
	FF250	FF170	FLEXIS 80D25	21	17
	FF250	FF170	FLEXIS 80D50	24	20
	FF330	FF250	FLEXIS 80D75	32	28
	FF330	FF250	FLEXIS 80D100	34	30
	FF550	FF330	FLEXIS 80D125	45	39
	FF550	FF330	FLEXIS 80D150	47	41
	FF550	FF550	FLEXIS 80D175	56	52
	FF550	FF550	FLEXIS 80D200	58	55
	FF720	FF720	FLEXIS 80D225	67	63
	FF720	FF720	FLEXIS 80D250	78	74
	FF720	FF720	FLEXIS 80D275	85	81
	FF720	FF720	FLEXIS 80D300	87	83
	FF1000	FF1000	FLEXIS 80D400	135	131
	FF250	FF170	FLEXIS 220D24	24	20
	FF330	FF250	FLEXIS 220D48	34	30
	FF550	FF330	FLEXIS 220D72	45	41
	FF550	FF550	FLEXIS 220D96	59	55
	FF720	FF720	FLEXIS 220D120	70	66
	FF720	FF720	FLEXIS 220D144	79	75
	FF1000	FF1000	FLEXIS 220D192	136	132
	FF250	FF170	FLEXIS 400D12	24	20
	FF330	FF250	FLEXIS 400D24	34	30
	FF550	FF330	FLEXIS 400D36	44	40
	FF550	FF550	FLEXIS 400D48	59	55
	FF720	FF720	FLEXIS 400D60	78	74
	FF720	FF720	FLEXIS 400D72	87	83

FORTIS

Nom. Ausgangs spannung (V)	Max. Ausgangsstrom (A)	Typ	Gehäuse	Gewicht (kg)	Netz sicherung (A)	Eingangsstrom (A)
24	60	FORTIS 24E60	FF170	13	10	8,7
	100	FORTIS 24E100	FF170	13	16	14,1
	100	FORTIS 24D100	FF170	14	6	4,9
	200	FORTIS 24D200	FF250	25	10	9,8
48	50	FORTIS 48E50	FF170	13	16	14,1
	50	FORTIS 48D50	FF170	14	6	4,9
	100	FORTIS 48D100	FF170	18	10	8,0
	150	FORTIS 48D150	FF250	27	16	12,9
	200	FORTIS 48D200	FF250	30	20	16,0
	25	FORTIS 80E25	FF170	13	16	14,1
80	25	FORTIS 80D25	FF170	14	6	4,9
	50	FORTIS 80D50	FF170	17	10	8,0
	75	FORTIS 80D75	FF250	26	16	12,9
	100	FORTIS 80D100	FF250	28	20	16,0
	125	FORTIS 80D125	FF330	37	25	20,9
	150	FORTIS 80D150	FF330	40	32	24,0
	175	FORTIS 80D175	FF550	49	32	28,9
	200	FORTIS 80D200	FF550	52	40	32,0
	225	FORTIS 80D225	FF720	63	40	36,9

12 Chybová hlášení

FLEXIS

Kód	Popis poruchy	Možný důvod	Náprava
E1x	Chybné počáteční podmínky, chyby baterie, vysoká teplota baterie		
E11	Napětí baterie je nižší než 98% její jmenovité hodnoty – hluboce vybitá baterie.	<ul style="list-style-type: none"> Baterie je příliš vybitá Špatné nastavení nabíječe nebo indikátoru VZV 	<ul style="list-style-type: none"> Kontrola hladiny elektrolytu Vybití max. 80% kapacity baterie (podle typu baterie) Kontrola nastavení nabíječe a indikace VZV
E12	Odpojení baterie bez ukončení nabíjecího procesu tlačítkem STOP.	<ul style="list-style-type: none"> Odpojení baterie během nabíjení 	<ul style="list-style-type: none"> Před odpojením baterie během nabíjení vždy stisknout tlačítko STOP
E13	Teplota baterie >TbatMAX: - Pokud to bude zjištěno při připojení baterie, nabíjení nebude zahájeno. - Pokud teplota přesáhne tuto hodnotu v průběhu nabíjení, sníží se hodnota proudu na zadanou hodnotu a nabíjení bude pokračovat. Pokud následně teplota poklesne na (TbatMAX-2)°C, nabíjecí proud se opět zvýší na zadanou hodnotu I1.	<ul style="list-style-type: none"> Příliš vysoká teplota okolí baterie Cykly nabíjení a vybíjení probíhají bez přestávký v nepřetržitém sledu Příliš vysoký proud při nabíjení baterie Příliš vysoký proud při vybíjení baterie Nízká kapacita baterie 	<ul style="list-style-type: none"> Snížit teplotu okolí Udělat přestávky mezi nabíjením a vybíjením baterie Kontrola nastavení nabíječe Použití baterií s vyšší kapacitou
E14	Teplota uvnitř nabíječe > 65°C: pokud to bude zjištěno při připojení baterie, nabíjení nebude zahájeno. Pokud teplota přesáhne tuto hodnotu v průběhu nabíjení, sníží se hodnota proudu na zadanou hodnotu a nabíjení bude pokračovat. Pokud následně teplota poklesne na (T-5)°C, nabíjecí proud se opět zvýší na zadanou hodnotu I1.	<ul style="list-style-type: none"> Příliš vysoká teplota okolí nabíječe Nabíječ nadměrně zaprášen 	<ul style="list-style-type: none"> Snížit teplotu okolí Vyčistit nabíječ Pokud je nabíječ opatřen prachovým filtrem, jeho kontrola, vyčištění a případná výměna
E15	Napětí baterie > Umax (nastavení v klívkách)	<ul style="list-style-type: none"> Chyba výkonového modulu Chyba řídicího systému 	<ul style="list-style-type: none"> Oprava/výměna výkonového modulu Oprava/výměna řídicího systému
E2x	Chybná doba nabíjení		
E21	Fáze konstantního napětí U1 trvá příliš dlouho, nabíjení pokračuje další fází nebo je ukončeno.	<ul style="list-style-type: none"> Vadná baterie nebo nesprávné nastavení nabíječe Příliš vysoká kapacita baterie nebo malý proud nabíječe 	<ul style="list-style-type: none"> Kontrola baterie - hustota elektrolytu, teplota, napětí jednotlivých článků Kontrola nastavení nabíječe a jeho typu
E22	Fáze konstantního napětí U1 trvá příliš dlouho, nabíjení pokračuje další fází nebo je ukončeno.	<ul style="list-style-type: none"> Vadná baterie Nesprávné nastavení nabíječe 	<ul style="list-style-type: none"> Kontrola baterie - hustota elektrolytu, teplota, napětí jednotlivých článků Kontrola nastavení nabíječe
E23	Fáze konstantního napětí I2 trvá příliš dlouho, nabíjení je zpravidla ukončeno poruchou.	<ul style="list-style-type: none"> Vadná baterie Nesprávné nastavení nabíječe 	<ul style="list-style-type: none"> Kontrola baterie - hustota elektrolytu, teplota, napětí jednotlivých článků Kontrola nastavení nabíječe
E24	Během nabíjecích fází I1+U1 bylo dodáno více než 90% jmenovité kapacity.	<ul style="list-style-type: none"> Hluboce vybitá baterie Nesprávné nastavení nabíječe 	<ul style="list-style-type: none"> Kontrola baterie - hustota elektrolytu, teplota, napětí jednotlivých článků Kontrola nastavení nabíječe Kontrola podmínek vybíjení
E3x	Odchytky nabíjecího proudu I1		
E31	Nabíjecí proud I1 <80% žádané hodnoty.	<ul style="list-style-type: none"> Chybí jedna fáze u třífázové sítě Vadný výkonový modul Vadný řídicí systém 	<ul style="list-style-type: none"> Kontrola sítě. Kontrola funkce výkonových modulů Kontrola řídicího systému
E32	Nabíjecí proud I1 >110% žádané hodnoty.	<ul style="list-style-type: none"> Vadný výkonový modul Vadný řídicí systém 	<ul style="list-style-type: none"> Kontrola funkce výkonových modulů Kontrola řídicího systému
E5x	Poruchy vzduchování		
E51	Nízký tlak v provzdušňovacím systému, chyba v pumpě nebo v systému potrubí. Pokud nedojde k obnově správných hodnot tlaku do 1 minuty, sníží se hodnota nabíjecího proudu I1 na 80% ve fázi hlavního nabíjení a pumpa již nebude spínána.	<ul style="list-style-type: none"> Netěsnost v pospojování vzduchovacího potrubí Vadná pumpa 	<ul style="list-style-type: none"> Kontrola vzduchovacího potrubí a pumpy.
E52	Vysoký tlak v provzdušňovacím systému, chyba v pumpě nebo v systému potrubí. Pokud nedojde k obnově správných hodnot tlaku do 1 minuty, sníží se hodnota nabíjecího proudu I1 na 80% ve fázi hlavního nabíjení a pumpa již nebude spínána.	<ul style="list-style-type: none"> Ucpané nebo zalomené vzduchovací potrubí. 	<ul style="list-style-type: none"> Kontrola vzduchovacího potrubí a pumpy.
E53	Více krátkých poruch v provzdušňovacím systému během jednoho nabíjecího cyklu, sníží se hodnota nabíjecího proudu I1 na 80% ve fázi hlavního nabíjení a pumpa již nebude spínána.	<ul style="list-style-type: none"> Netěsnost v pospojování vzduchovacího potrubí nebo je vadná pumpa. Ucpané nebo zalomené vzduchovací potrubí. 	<ul style="list-style-type: none"> Kontrola vzduchovacího potrubí.
E54	Netěsnost provzdušňovacího systému, po vypnutí pumpy v něm rychle ubývá tlak.	<ul style="list-style-type: none"> Zablokování nabíječe vlivem překročení nastaveného počtu chyb E51, E52, E54. Chyba v pospojování vzduchovacího potrubí nebo je vadná pumpa. Ucpané nebo zalomené vzduchovací potrubí. 	<ul style="list-style-type: none"> Kontrola vzduchovacího potrubí a pumpy. Nabíječ musí odblokovat servisní technik.

E55	Zablokování nabíječe vílevem poruch pumpy (při zvolení této možnosti).	<ul style="list-style-type: none"> Zablokování nabíječe vílevem překročení nastaveného počtu chyb E51, E52, E54. Chyba v pospojování vzduchovacího potrubí nebo je vadná pumpa. Ucpané nebo zalomené vzduchovací potrubí. 	<ul style="list-style-type: none"> Kontrola vzduchovacího potrubí a pumpy. Nabíječ musí odblokovat servisní technik.
E9x Chybné počáteční podmínky nebo poruchy baterie			
E91	Chyba komunikace s IM při připojení baterie.	<ul style="list-style-type: none"> IM není osazen na baterii nebo je vadný nebo není naprogramován. Vadný kabel nebo konektor. 	<ul style="list-style-type: none"> Připojit, vyměnit či naprogramovat IM. Zkontrolovat propojení nabíječe s IM.
E94	Chyba komunikace s teplotní sondou.	<ul style="list-style-type: none"> Vadný IM nebo teplotní sonda Vadný kabel nebo konektor 	<ul style="list-style-type: none"> Vyměnit IM Vyměnit teplotní sondu Zkontrolovat propojení nabíječe s IM nebo teplotní sondou
F1x Chybné počáteční podmínky nebo poruchy baterie.			
F10	Výkonové moduly mají různé jmenovité napětí.	<ul style="list-style-type: none"> Chybné osazení výkonových modulů Chybná kalibrace modulů 	<ul style="list-style-type: none"> Použít správné moduly Správné nastavení modulů
F11	Baterie s vysokým vnitřním odporem.	<ul style="list-style-type: none"> Silně zasulfátovaná baterie V článcích baterie chybí elektrolyt 	<ul style="list-style-type: none"> Kontrola baterie a způsobu jejího provozu Změření hustoty elektrolytu a napětí jednotlivých článků Dolít destilované vody do článků Provedení desulface
F12	Napětí baterie >135% Unom – nevhodná baterie.	Baterie s vyšším jmenovitým napětím, než které je nastaveno v nabíječi	Kontrola napětí baterie
F13	Napětí baterie > 115% Unom, nabíjení baterie začne až po poklesu pod 115% Unom.	Baterie je nabitá	<ul style="list-style-type: none"> Baterii odpojit Pokud zůstane připojená, po poklesu napětí se automaticky zahájí nabíjení
F14	Napětí baterie během nabíjení přesáhlo zadanou mez Umax 12, nabíjení je ukončeno.	<ul style="list-style-type: none"> Vadná baterie Chybné propojení baterie s nabíječem Porucha nabíječe 	<ul style="list-style-type: none"> Kontrola baterie, změření hustoty elektrolytu a napětí jednotlivých článků Kontrola propojení mezi nabíječem a baterií Kontrola funkce nabíječe
F15	Monitory napětí (absolutní hodnoty) jednotlivých modulů v paralelním řazení se liší o více než 3% z jmenovitého napětí modulů.	<ul style="list-style-type: none"> Porucha výkonových modulů Chybná kalibrace výkonových modulů 	Operace nebo výměna výkonového modulu
F16	Teplota baterie při nabíjení > Tbat MAX, nabíjení je ukončeno.	<ul style="list-style-type: none"> Příliš vysoká teplota okolí baterie Cykly nabíjení a vybíjení probíhají bez přestávk v nepřetržitě sledu Příliš vysoký proud při nabíjení baterie 	<ul style="list-style-type: none"> Snižte teplotu okolí Udělat přestávky mezi nabíjením a vybíjením baterie Kontrola nastavení nabíječe
F17	Výstupní napětí během nabíjení je nižší než Umin nebo byla připojena baterie s nižším Unom než je nastaveno v nabíječi (pouze v kombinaci s chybou E11)	<ul style="list-style-type: none"> Porucha výkonového modulu Připojena nevhodná baterie 	<ul style="list-style-type: none"> Operace nebo výměna výkonového modulu Připojení vhodné baterie nebo změna nastavení nabíječe
F18	Nízká hladina elektrolytu	<ul style="list-style-type: none"> Nedostatečná údržba Chyba automatického dolévání Chybné nastavení funkce spínání ventilů 	<ul style="list-style-type: none"> Dolít vody do baterie Kontrola funkce aut. dolévání Kontrola nastavení
F2x Chybné počáteční podmínky nebo poruchy baterie			
F21	Fáze hlavního proudu I1 trvá příliš dlouho, nabíjení je ukončeno.	Vadná či příliš vybitá baterie nebo nesprávné nastavení nabíječe	<ul style="list-style-type: none"> Kontrola baterie - hustota elektrolytu, teplota, napětí jednotlivých článků Kontrola nastavení nabíječe
F22	Fáze konstantního napětí U1 trvá příliš dlouho, nabíjení je ukončeno.	<ul style="list-style-type: none"> Vadná či příliš vybitá baterie nebo nesprávné nastavení nabíječe Vysoká kapacita baterie Malý nabíjecí proud 	<ul style="list-style-type: none"> Kontrola baterie - hustota elektrolytu, teplota, napětí jednotlivých článků Kontrola nastavení nabíječe
F23	Fáze konstantního proudu I2 trvá příliš dlouho, nabíjení je ukončeno.	Vadná či příliš vybitá baterie nebo nesprávné nastavení nabíječe	<ul style="list-style-type: none"> Kontrola baterie - hustota elektrolytu, teplota, napětí jednotlivých článků Kontrola nastavení nabíječe
F3x Odchyly nabíjecího proudu			
F31	Nabíjecí proud <50% žádané hodnoty, nabíjení je ukončeno.	<ul style="list-style-type: none"> Chybí jedna fáze u třífázové sítě Vadný výkonový modul Nesprávná kalibrace výkonového modulu 	<ul style="list-style-type: none"> Kontrola napájecí sítě. Kontrola funkce výkonových modulů Kalibrace výkonového modulu
F32	Nabíjecí proud >120% žádané hodnoty, nabíjení je ukončeno.	<ul style="list-style-type: none"> Vadný výkonový modul Nesprávná kalibrace výkonového modulu 	<ul style="list-style-type: none"> Kontrola funkce výkonových modulů Kalibrace výkonového modulu
F33	Nabíjecí proud >120% jmenovitého proudu nabíječe, nabíjení je ukončeno.	<ul style="list-style-type: none"> Vadný výkonový modul Nesprávná kalibrace výkonového modulu 	<ul style="list-style-type: none"> Kontrola funkce výkonových modulů Kalibrace výkonového modulu
F35	Během nabíjení dodáno více než >125% jmenovité kapacity baterie.	<ul style="list-style-type: none"> Vadná baterie Chybné nastavení nabíječe 	<ul style="list-style-type: none"> Kontrola baterie Vybíjet max. 80% kapacity baterie Kontrola nastavení nabíječe
F4x Komunikace ŘS			
F40	Chyba komunikace ŘS s výkonovým modulem.	<ul style="list-style-type: none"> Vadný konektor propojovacího kabelu Chyba ŘS Chyba modulu 	<ul style="list-style-type: none"> Kontrola propojení ŘS a výkonového modulu Operace nebo výměna ŘS Operace nebo výměna výkonového modulu

F6x	Chyby inicializace		
F60	Typ nabíjecí křivky se neshoduje	<ul style="list-style-type: none"> Nabíječ je nastavený na typ baterie Lithium, ale IM / BM modul vyžaduje křivku pro olověnou baterii 	<ul style="list-style-type: none"> Sjednotit typy baterií nastavených v nabíječi a v IM / BM
F61	Typ křivky a nominální napětí na články nejsou v souladu	<ul style="list-style-type: none"> Některé typy křivek lze použít na nabíjení jen určitých typů baterií 	<ul style="list-style-type: none"> Použít vhodný typ nabíjecí křivky
F62	Chybný počet článků baterie	<ul style="list-style-type: none"> Nastavenému napětí baterie a nominálnímu napětí článku v křivce neodpovídá celočíselný počet článků 	<ul style="list-style-type: none"> Hodnota napětí baterie musí být celočíselným násobkem napětí článku
F63	Připojena nevhodná baterie s IM / BM nastaveným na vyšší napětí, než je nabíječ schopný nabíjet	<ul style="list-style-type: none"> Byla připojena baterie s IM / BM, který je nastavený na vyšší napětí, než je napětí nabíječe. 	<ul style="list-style-type: none"> Použít na nabíjení baterie vhodný typ nabíječe
F64	Chybné nastavení nabíječe nebo IM / BM	<ul style="list-style-type: none"> Chybně nastavená kapacita baterie mimo povolený rozsah 10 - 10000 Ah chybné číslo nabíjecí křivky mimo rozsah 1 - 120 obecná chyba v registrech 	<ul style="list-style-type: none"> Nastavené hodnoty nesmí být mimo povolené rozsahy

FORTIS

Popis poruchy	Možný důvod	Chování nabíječe a signalizace LED	Náprava
Externí vlivy			
Podpětí nebo přepětí v napájecí síti	<ul style="list-style-type: none"> Chyba v zapojení elektroinstalace 	<ul style="list-style-type: none"> Nabíječ nedává proud Červená LED bliká 2x krátce po sobě, pak delší prodleva 	<ul style="list-style-type: none"> Kontrola napětí v elektroinstalaci Oprava závady tak, aby napájecí napětí bylo v toleranci $\pm 10\%$
Chyby baterie			
Ubat < 1,3V/čl.	<ul style="list-style-type: none"> Připojení nevhodné baterie s menším jmenovitým napětím Vadná, resp. extrémně vybitá baterie 	<ul style="list-style-type: none"> Při připojení baterie nezačne nabíjení, žádná signalizace 	<ul style="list-style-type: none"> Výměna baterie nebo její regenerace
2,3V/čl. < Ubat < 2,7V/čl.	<ul style="list-style-type: none"> Baterie je zcela nabitá 	<ul style="list-style-type: none"> Při připojení baterie nezačne nabíjení Trvale svítí zelená LED 	<ul style="list-style-type: none"> Odpojit baterii, resp. počkat na pokles napětí pod 2,3V/čl., kdy se automaticky zahájí nabíjení
Ubat > 2,7V/čl.	<ul style="list-style-type: none"> Nevhodná baterie s vyšším jmenovitým napětím 	<ul style="list-style-type: none"> Při připojení baterie se rozsvítí červená LED 	<ul style="list-style-type: none"> Při odpojení baterie a poklesu napětí na výstupu pod 1,3V/čl. červená LED zhasne
1,3V/čl. < Ubat < 2,0V/čl.	<ul style="list-style-type: none"> Baterie je hluboce vybitá 	<ul style="list-style-type: none"> Nabíjení Zelená LED bliká 	<ul style="list-style-type: none"> Nabíjí se sníženým proudem 50% I_{max} do dosažení 1,75V/čl. Od 1,75 do 2,0V/čl. zvyšujícím se proudem na I_{max}
Nevyhovující test baterie na začátku nabíjení	<ul style="list-style-type: none"> Baterie s velkým vnitřním odporem Zasulfátovaná baterie 	Závislé na nastavení nabíječe: <ul style="list-style-type: none"> přejde do stavu desulfatace, bliká zelená i žlutá LED (přednastaveno z výroby) nebo se ukončí nabíjení, rozsvítí se červená LED 	<ul style="list-style-type: none"> Výměna baterie nebo její regenerace
Chyby během nabíjení			
Baterie byla odpojena během nabíjení bez řádného vypnutí nabíječe	<ul style="list-style-type: none"> Neproškolená obsluha nabíječe 	<ul style="list-style-type: none"> Ukončení nabíjení Rozsvítí se červená LED 	<ul style="list-style-type: none"> Proškolit obsluhu, neboť dochází k ničení kontaktů konekturu a nebezpečí výbuchu
Překročení počtu dodaných Ah >135% C _{nom}	<ul style="list-style-type: none"> Nevhodná baterie Chybné nastavení nabíječe 	<ul style="list-style-type: none"> Ukončení nabíjení Rozsvícení zelené i červené LED 	<ul style="list-style-type: none"> Změna baterie Kontrola nastavení nabíječe
Odchylka hodnoty nabíjecího proudu	<ul style="list-style-type: none"> Vadná výkonová část nabíječe Vadná řízení 	<ul style="list-style-type: none"> Ukončení nabíjení Rozsvícení červené LED Zhasne až po vypnutí nabíječe 	<ul style="list-style-type: none"> Oprava nabíječe
Odchylka hodnoty nabíjecího napětí	<ul style="list-style-type: none"> Vadné řízení 	<ul style="list-style-type: none"> Ukončení nabíjení Rozsvícení červené LED Zhasne až po vypnutí nabíječe 	<ul style="list-style-type: none"> Oprava nabíječe
Ubat < 1,3V/čl. během nabíjení	<ul style="list-style-type: none"> Vadná či nevhodná baterie 	<ul style="list-style-type: none"> Ukončení nabíjení Zhasne zelená LED 	<ul style="list-style-type: none"> Výměna baterie nebo její regenerace
Přehřátí nabíječe	<ul style="list-style-type: none"> Vysoká okolní teplota Nabíječ je zaprášen Nefungují vnitřní ventilátory 	<ul style="list-style-type: none"> Ukončení nabíjení Rozsvítí se červená LED Po zchladnutí automaticky začne nabíjení, červená LED zhasne 	<ul style="list-style-type: none"> Snížení teploty okolí Vyčistit nabíječ Kontrola ventilátorů
Vadná teplotní sonda	<ul style="list-style-type: none"> Poškozený kabel Vadný konektor 	Závislé na nastavení nabíječe: <ul style="list-style-type: none"> zahájí se nabíjení, červená LED přitom svítí, zelená LED bliká (přednastaveno z výroby) nebo nabíjení nezačne, rozsvítí se červená LED 	<ul style="list-style-type: none"> Kontrola kabelu či konektoru sondy

12.1 Poruchy modulu

(jsou zobrazeny v záložce UDÁLOSTI v programu AXIFF nebo AXISET)

F1	chyba napájecí sítě	F5	chyba výstupního relé
F2	přehřátí diod	F6	chyba komunikace po sběrnici CAN
F3	přehřátí tranzistorů	F7	chyba vnitřního zdroje
F4	přepětí na výstupu zdroje	F8	nedostatečný výkon

Vysvětlivky a použité zkratky

A	ampér (proud)	I1, U1, I2	charakteristické hodnoty nabíjecí křivky
Ah	ampérhodina	kg	kilogram
A/100Ah	proud vztahující se na 100Ah kapacity baterie	kVA	vstupní příkon
CE	značka označení shody s normami	m	metr
Cnom	jmenovitá kapacita baterie (v ampérhodinách)	maintenance	udržovací nabíjení po nastaveném času
°C	stupeň Celsia (teplota)	min	minuta
DES	desulfatace	s	sekunda
EQU	ekvalizace	SN	výrobní číslo
EUW	nucená cirkulace elektrolytu (vzduchovací pumpa)	Unom	jmenovité napětí
float	udržovací nabíjení	V	volt (napětí)
h	hodina	V/čl.	volt/článek baterie
Hz	Herz (frekvence)	VAC	střídavé napětí
IM	identifikační modul	VDC	stejnoseměrné napětí
Inom	jmenovitá hodnota proudu	3 N PE	označení napájecí sítě 3x400VAC/50-60Hz
IP	stupeň krytí	1 N PE	označení napájecí sítě 230VAC/50-60Hz

FLEXIS

FORTIS



This instruction manual is valid also for OEM versions.
Diese Anleitung ist auch für OEM Versionen gültig.
Návod je platný i pro OEM verze.

4 7991 00 0

 Vídeňská 125, Brno 619 00, CZ
 acdc@axima.cz
 +420 546 418 859
 [www.axima – power.com](http://www.axima-power.com)

index: 10 / 2022